



DUAL HANDLE N-CONTROL

620-60221

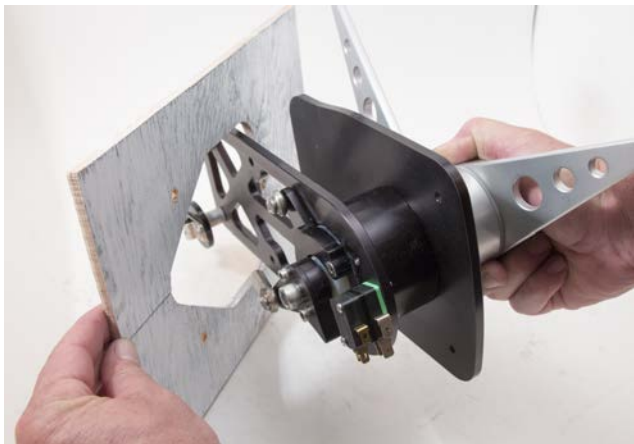
The 620-60221 N-Control shifter is designed as a dual lever single function control for shifting of the forward and reverse gears only. It is not intended in any way to be used for the operation of the throttle functions.

Shifter Mounting

To start the installation determine the mounting location for the shifter taking care the you will have enough room for the full movement of the levers in all directions. Use the provided cut out templete to mark the area to be cut for the shifter installation. This requires the use of a 1 1/2" hole saw and a jig saw to cut the hole correctly.



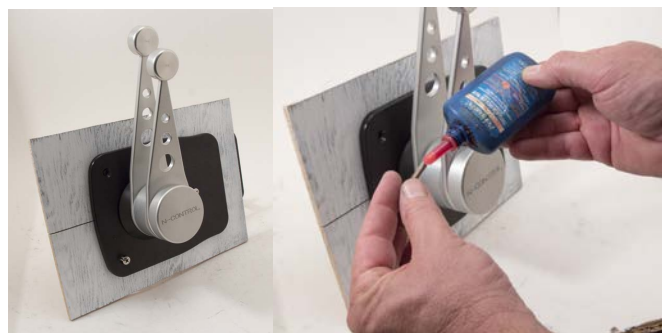
Remove the rear retaining plate from the shifter then slide the shifter through the cut out until flush to the panel.



Then mark the panel for the 3 mounting screws to be drilled with a 1/4" drill bit.



Slide the retaining plate behind the panel and install the 3 screws through the outer plate into the inner using loctite on the screws and tighten until soild to the panel. Tighten until the shifters inner and outer plates are pulled tight to the panel.



(Note: Use loctite on these screws to prevent them from coming loose in operation)





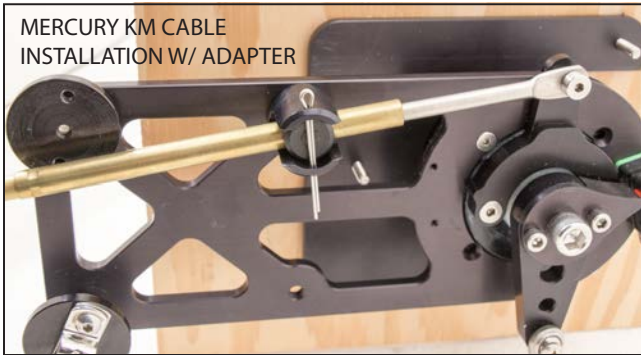
DUAL HANDLE N-CONTROL

620-60221

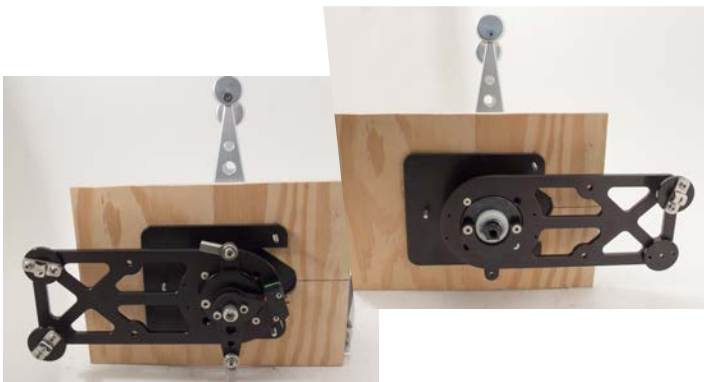
Cable Mounting

The cable can be installed before or after the shifter has been mounted depending on the amount of room available in the desired mounting location.

The N-Control shifter will work with the standard 33c style cable or the Mercury Gen II cables as purchased. If you are using the older KM cable then you must purchase the 620-60210 adapter separately that allows this cable to mount to the bracket.



The cable can enter from the rear, front, or the bottom of the shifter and push or pull the cable from these installation points. See pictures below. (Note: Use loctite on all mounting screws to prevent them from coming loose during operation)

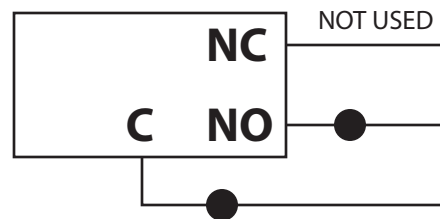


The 33c cable will use the rod end attached to the shift arm and the clamp on the pivot disc then just adjust as needed for smooth gear operation.

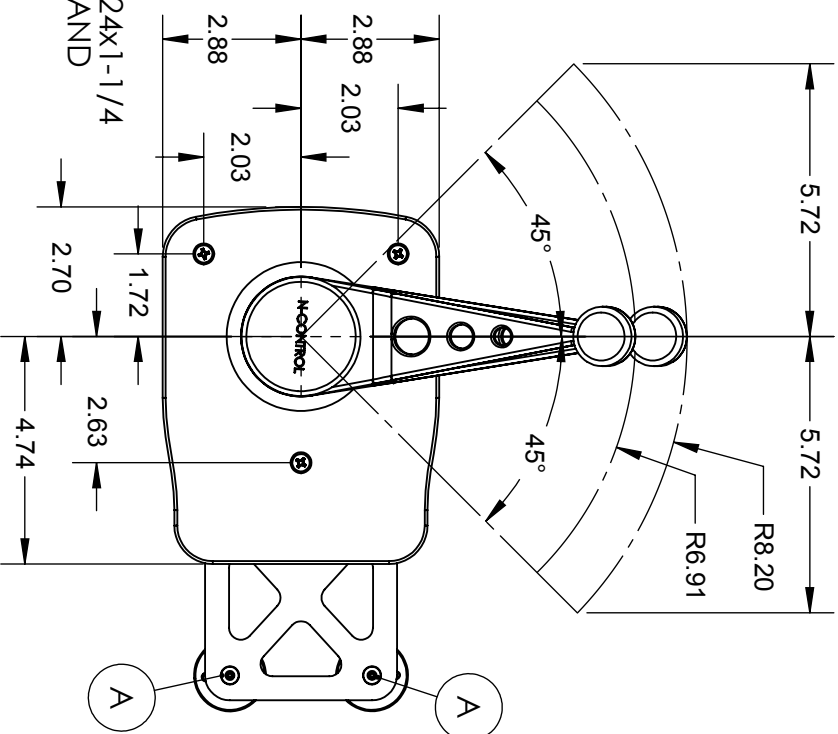
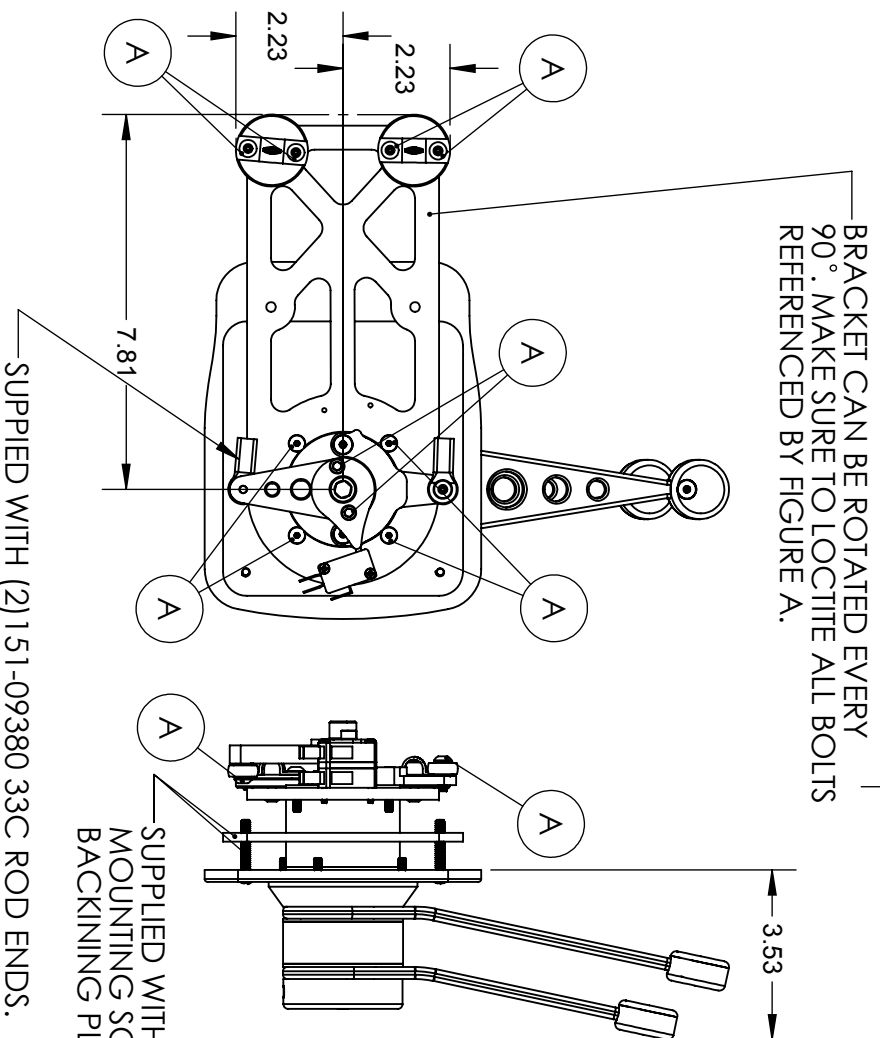
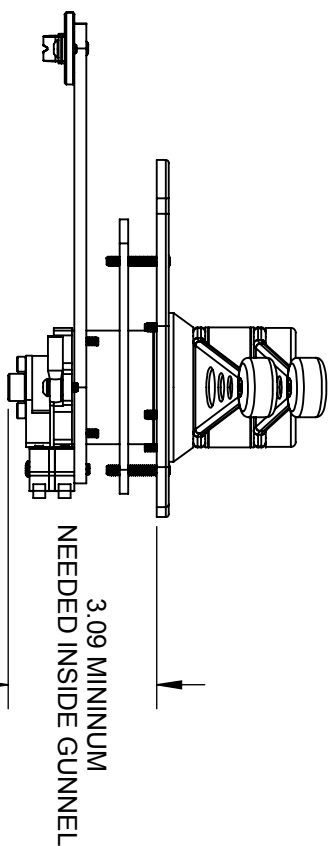
The Mercury II cables attach to the shift arm using the provided shoulder bolt and washer and the clamp on the pivot disc. Adjust as needed for smooth gear operation.



Neutral Safety Switch



TITLE: DUAL LEVER CONTROL



THIS DRAWING IS CONFIDENTIAL AND IS SUPPLIED ON EXPRESS CONDITION THAT IT SHALL NOT BE LENT, COPIED OR DISCLOSED TO ANY OTHER PERSON OR USED FOR ANY OTHER PURPOSE WITHOUT WRITTEN CONSENT OF HARDIN MARINE INC.. BREACH OF THIS CONTRACT WILL HOLD AND IT'S PRINCIPALS LIABLE FOR LOSS AND DAMAGES.

HARDIN 11 Industry Dr. Palm Coast, FL 32137
MARINE 386-445-2500 / FAX 386-445-1122

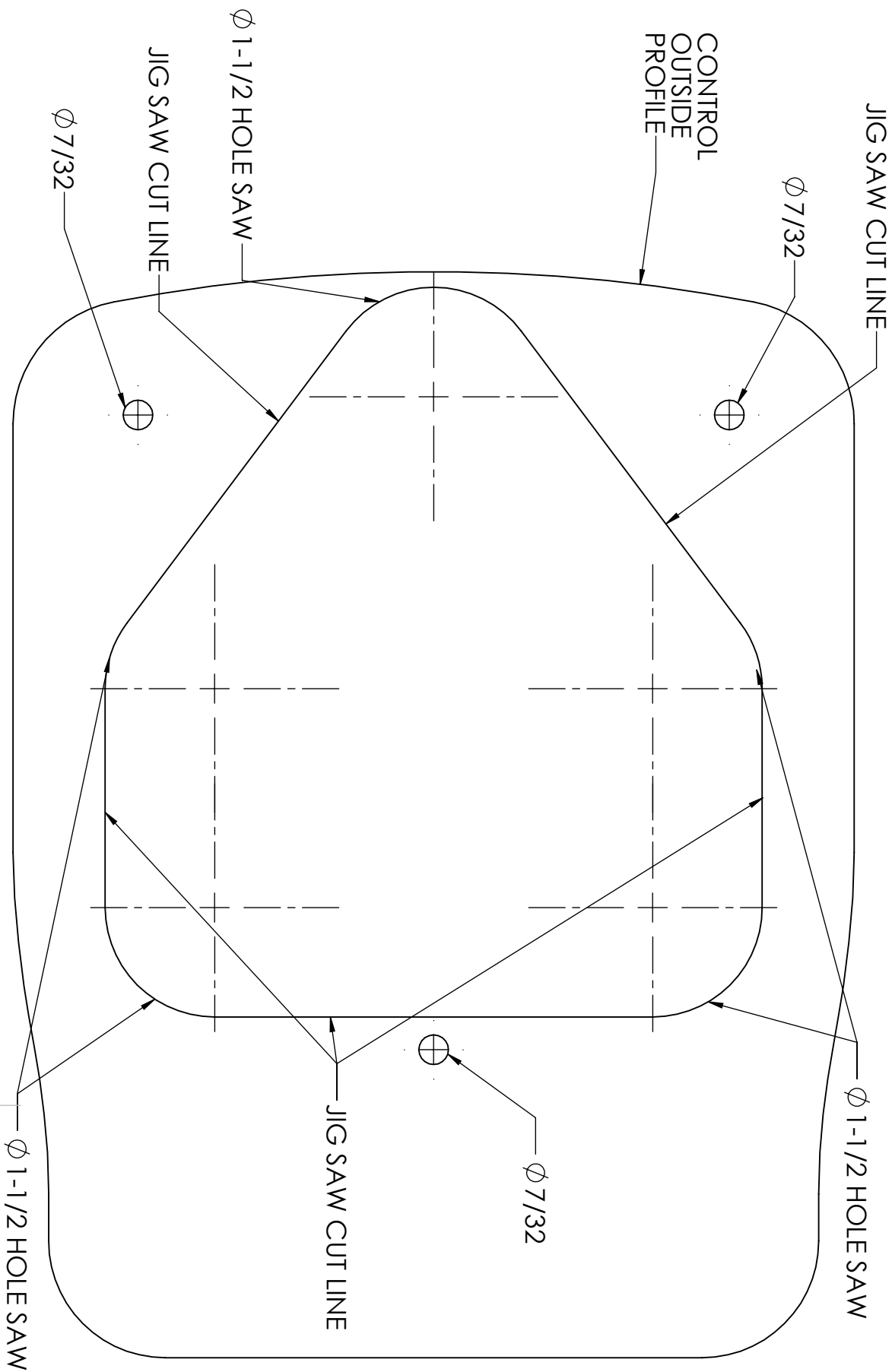
PART NO.
620-60221

TITLE: DUAL LEVER SIDE MOUNT CONTROL CUTOUT
TEMPLATE

www.hardin-marine.com

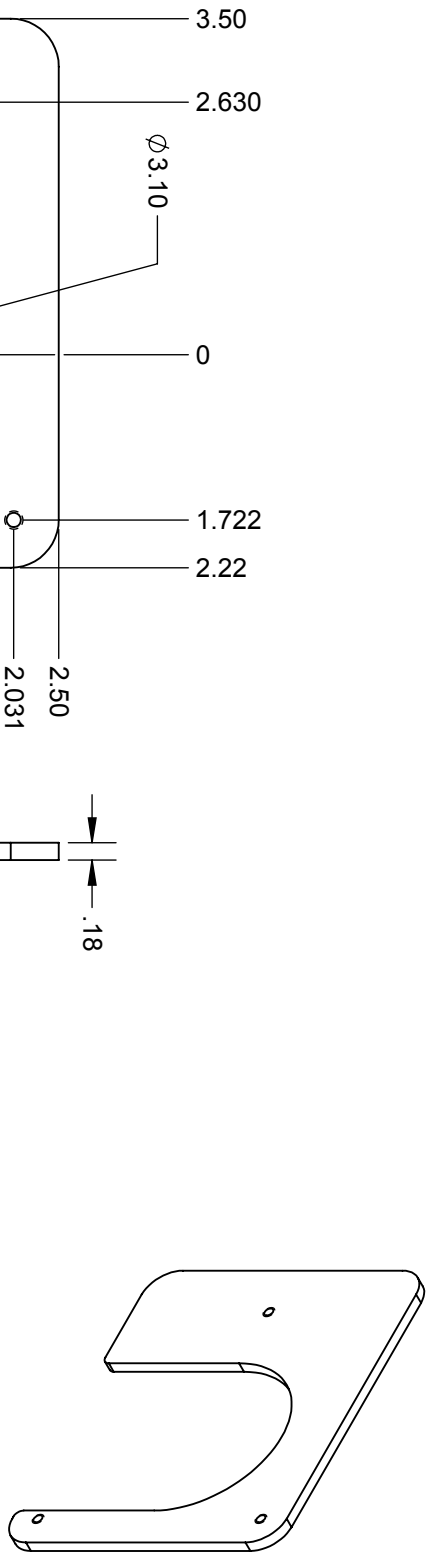
TEMPLATE USAGE:

- 1) TAPE TEMPLATE TO MOUNTING POSITION. USE THE OUTSIDE PROFILE TO INSURE CONTROL HAS FLAT MOUNTING SURFACE.
- 2) DRILL THE (5) $\phi 1-1/2$ HOLE SAW HOLES.
- 3) DRILL THE (3) $\phi 7/32$ MOUNTING HOLES.
- 4) USE A JIG SAW TO CUTOUT THE REMAINING HOLES FOLLOWING THE LINES.
- 5) DEBURR ALL HOLES AND CUT LINES PRIOR TO INSTALLATION.



NOTE:
1) BREAK ALL EDGES .02x45°, UNLESS NOTED.

| REVOLUTIONS | | DESCRIPTION | DATE | APPROVED |
|-------------|---|---------------------------|-----------|-----------|
| REV. | A | CHANGED THE CENTER CUTOUT | 9/21/2015 | J.P.STULL |



3X ϕ .150 THRU ALL
10-24 UNC THRU ALL

UNLESS OTHERWISE SPECIFIED:
DIMENSIONS ARE IN INCHES
TOLERANCES:
FRACTIONAL ±
ANGULAR: MACH ± 2° BEND ±
TWO PLACE DECIMAL ± .015
THREE PLACE DECIMAL ± .005

MATERIAL
6061 Alloy
FINISH
SEE RICK

HARDIN MARINE 11 Industry Dr. Palm Coast, FL 32137
386-445-2500 / FAX 386-445-1122
TITLE: PANEL, BACK - DUAL CONTROL

SIZE DWG. NO. PART NO. REV
A 620-60284 REV A 620-60284 A
SCALE: 1:2 DRAWN BY: J.P.STULL DATE: 04/23/13

THIS DRAWING IS CONFIDENTIAL AND IS SUPPLIED ON EXPRESS CONDITION THAT IT SHALL NOT BE LENT, COPIED OR DISCLOSED TO ANY OTHER PERSON OR USED FOR ANY OTHER PURPOSE WITHOUT WRITTEN CONSENT OF HARDIN MARINE INC.. BREACH OF THIS CONTRACT WILL HOLD AND ITS PRINCIPALS LIABLE FOR LOSS AND DAMAGES.