

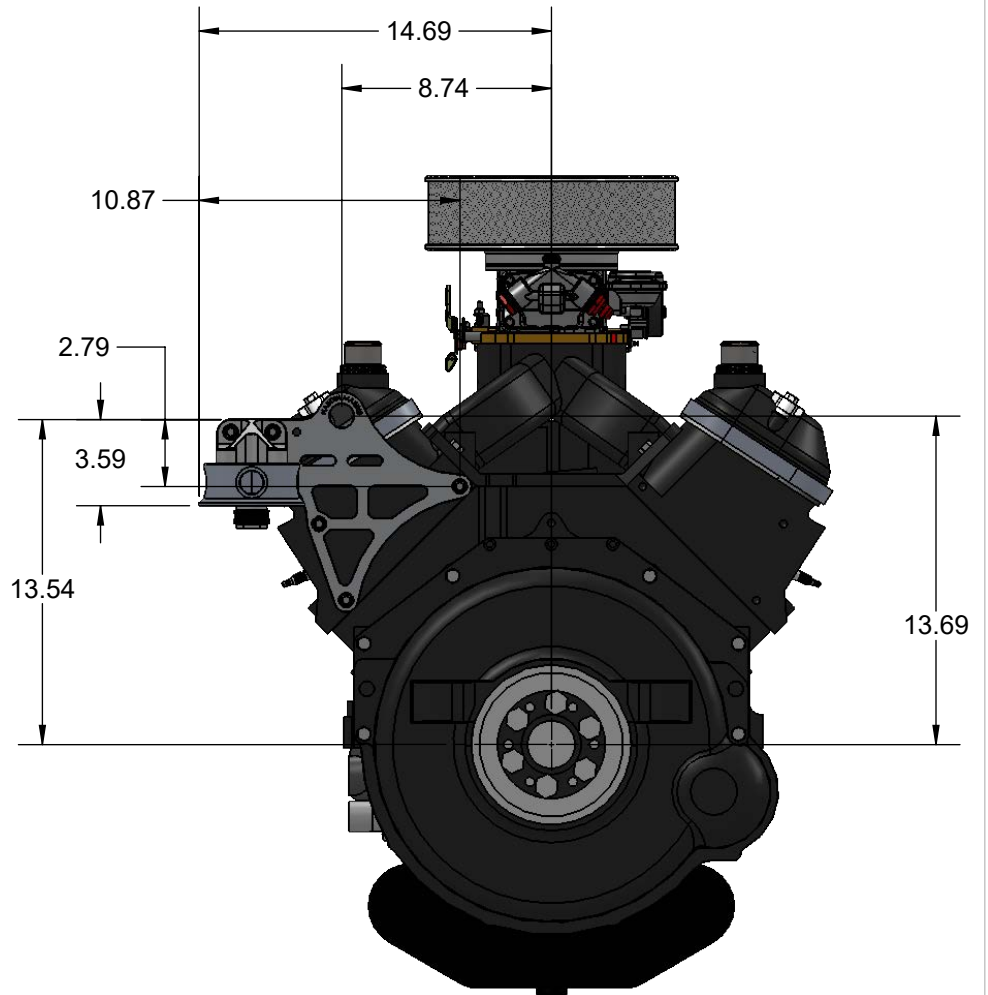
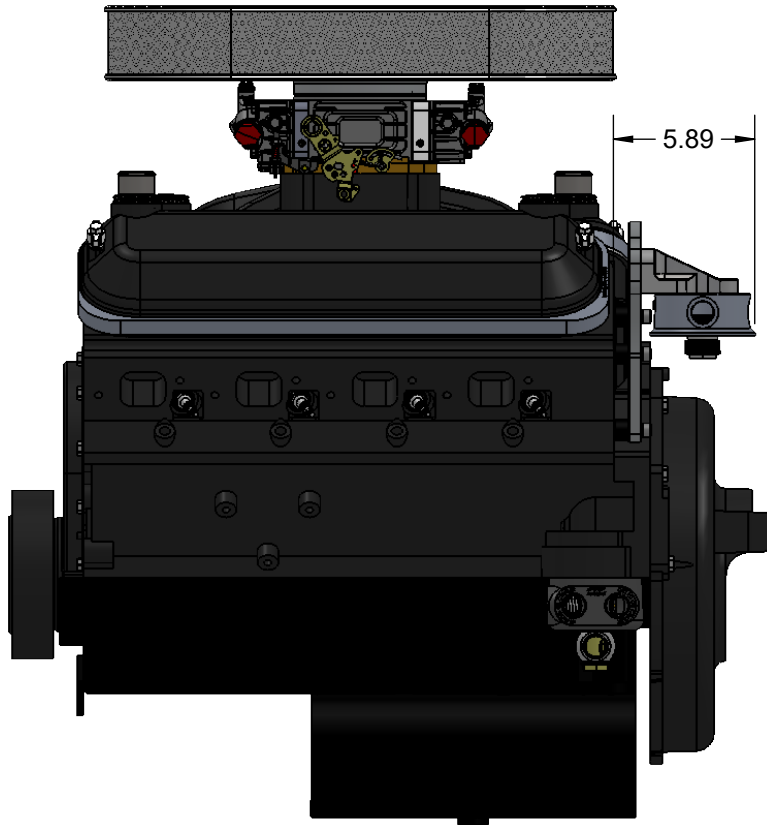
HARDIN MARINE 11 Industry Dr. Palm Coast, FL 32137  
386-445-2500 / FAX 386-445-1122

PART NO.  
625-7742/  
625-7745

TITLE:  
LOW MOUNT VERTICAL OIL FILTER HEAD

[www.hardin-marine.com](http://www.hardin-marine.com)

625-7745 HAS SS FORK BRACKET ,POLISHED HEAD AND BRACKET.  
625-7742 HAS SS FORK BRACKET, BLACK HEAD AND BRACKET.



THIS DRAWING IS CONFIDENTIAL AND IS SUPPLIED ON EXPRESS CONDITION THAT IT SHALL NOT BE LENT, COPIED OR DISCLOSED TO ANY OTHER PERSON OR USED FOR ANY OTHER PURPOSE WITHOUT WRITTEN CONSENT OF HARDIN MARINE INC.. BREACH OF THIS CONTRACT WILL HOLD ..... AND IT'S PRINCIPALS LIABLE FOR LOSS AND DAMAGES.

**HARDIN MARINE** 11 Industry Dr. Palm Coast, FL 32137  
386-445-2500 / FAX 386-445-1122

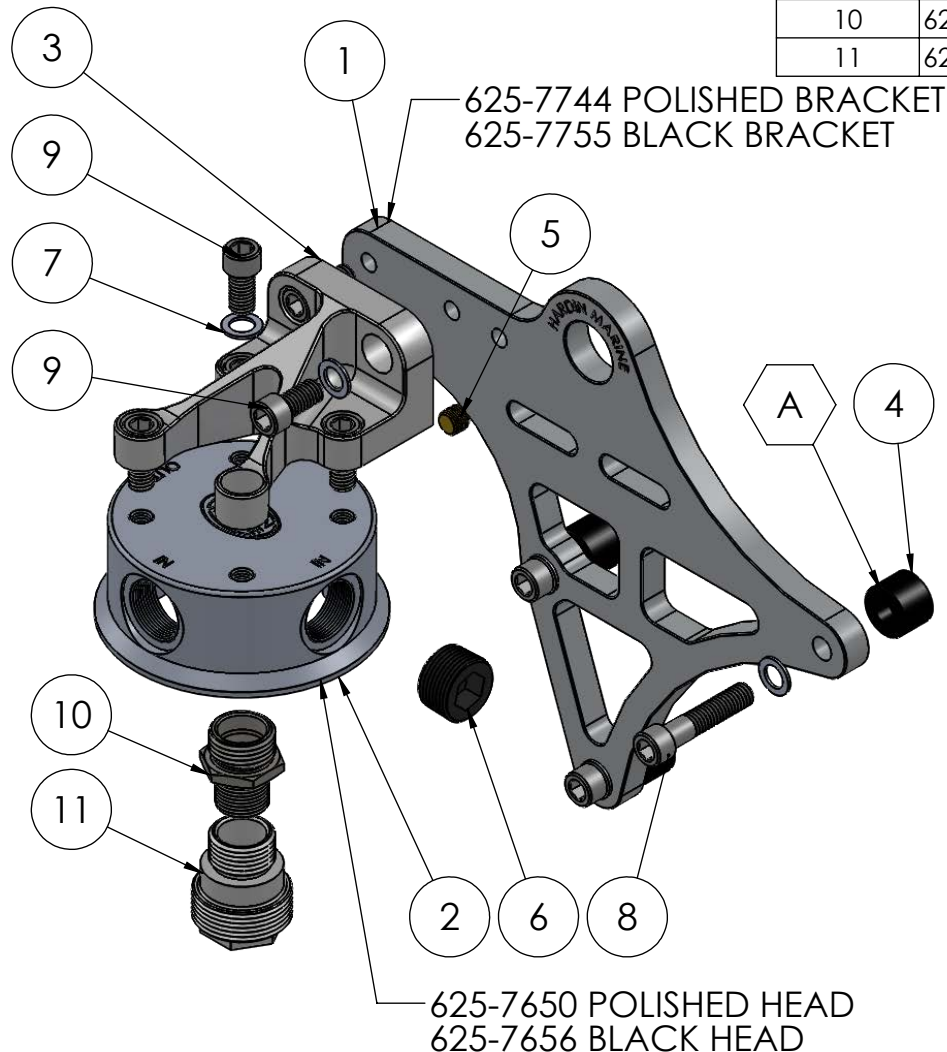
PART NO.  
625-7742/  
625-7745

ITEM NO.	PART NUMBER	DESCRIPTION	QTY.
1	625-7744	BRACKET, LOW MOUNT VERTICAL	1
2	625-7650	HEAD, FILTER	1
3	7662551	BRACKET, FORK	1
4	625-7754	BUSHING, HEAD MOUNT BRACKETS	3
5	625-2021	PIPE PLUG, 1/8 NPT	1
6	625-2035	PIPE PLUG, 3/4 NPT	1
7	90037AN-STSS	WASHER, 3/8 AN	9
8	90037C175SHS	BOLT,SHCS, 3/8-16 x 1-3/4	3
9	90037C075SHS	BOLT, SHCS, 3/8-16 x 3/4	6
10	625-7802	ADAPTER, HP4	1
11	625-7803	ADAPTER, HP6	1

TITLE:  
**LOW MOUNT VERTICAL OIL FILTER HEAD**

[www.hardin-marine.com](http://www.hardin-marine.com)

625-7745 HAS SS FORK BRACKET ,POLISHED HEAD AND BRACKET.  
625-7742 HAS SS FORK BRACKET, BLACK HEAD AND BRACKET.



**INSTALLATION INSTRUCTIONS:**

- 1) FILTER HEAD HAS (2)3/4 NPT INLETS TO AID IN PLUMBING. SUPPLIED IS 625-2035 PIPE PLUG TO PLUG OFF INLET THAT IS NOT BEING USED.
- 2) FILTER HEAD AS HAS 1/8 NPT PORT THAT CAN BE USED FOR PRESSURE GAUGE OR FOR VALVE SPRING OILERS. SUPPLIED IS 625-2021 PIPE PLUG IF YOU DO NOT NEED THIS PORT.
- 3) 625-7744 BRACKET CAN BE MOUNTED EITHER PORT OR STARBOARD AND FRONT OR BACK.
- 4) MOUNT FILTER HEAD TO FORK BRACKET USING BLUE LOCTITE ON THE 3/8-16 x 3/4" BOLTS MOUNTING BOLTS. TORUE TO 30 FT. LBS.. USING THE SAME BOLTS MOUNT FORK BRACKET TO HEAD MOUNT BRACKET.
- 5) INSTALL 625-7754 SPACERS BETWEEN CYLINDER HEAD AND BRACKET, FIG. A. MOUNT BRACKET TO CYLINDER HEAD USING BLUE LOCTITE ON THE 3/8-16 x 1-3/4 BOLTS MOUNTING BOLTS. TORUE TO 30 FT. LBS..
- 6) FILTER HEAD IS SUPPLIED WITH 625-7802 HP4 AND 625-7803 HP6 FILTER ADAPTERS. INSTALL ADAPTER INTO THE FILTER HEAD USING BLUE LOCTITE. TORQUE TO 50 FT. LBS..

THIS DRAWING IS CONFIDENTIAL AND IS SUPPLIED ON EXPRESS CONDITION THAT IT SHALL NOT BE LENT, COPIED OR DISCLOSED TO ANY OTHER PERSON OR USED FOR ANY OTHER PURPOSE WITHOUT WRITTEN CONSENT OF HARDIN MARINE INC.. BREACH OF THIS CONTRACT WILL HOLD ..... AND IT'S PRINCIPALS LIABLE FOR LOSS AND DAMAGES.

HARDIN  
MARINE

11 Industry Dr. Palm Coast, FL 32137  
386-445-2500 / FAX 386-445-1122

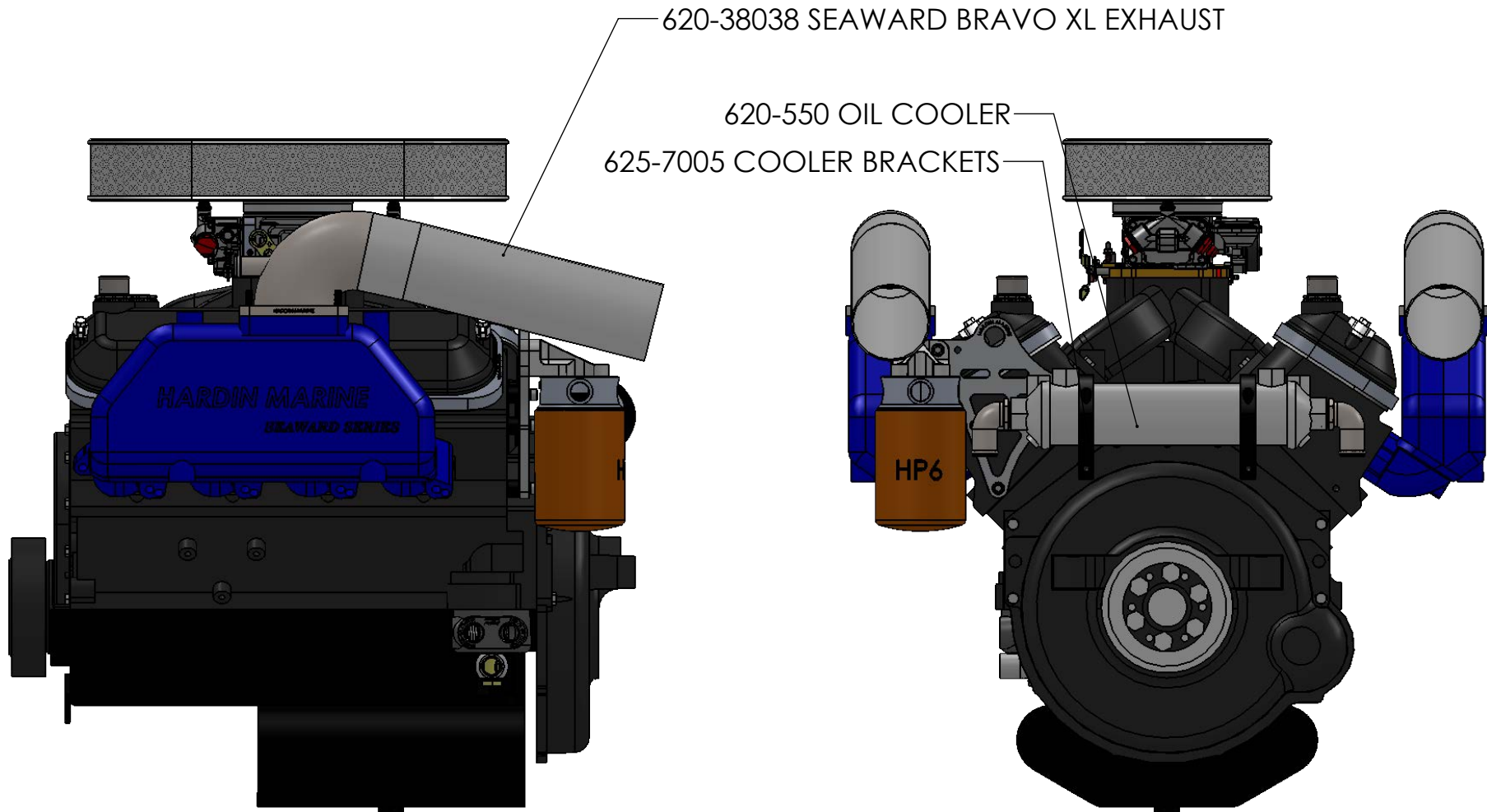
PART NO.  
625-7742/  
625-7745

625-7745 HAS SS FORK BRACKET ,POLISHED HEAD AND BRACKET.  
625-7742 HAS SS FORK BRACKET, BLACK HEAD AND BRACKET.

TITLE:

LOW MOUNT VERTICAL OIL FILTER HEAD

[www.hardin-marine.com](http://www.hardin-marine.com)



THIS DRAWING IS CONFIDENTIAL AND IS SUPPLIED ON EXPRESS CONDITION THAT IT SHALL NOT BE LENT, COPIED OR DISCLOSED TO ANY OTHER PERSON OR USED FOR ANY OTHER PURPOSE WITHOUT WRITTEN CONSENT OF HARDIN MARINE INC.. BREACH OF THIS CONTRACT WILL HOLD ..... AND IT'S PRINCIPALS LIABLE FOR LOSS AND DAMAGES.