

HARDIN
MARINE

11 Industry Dr. Palm Coast, FL 32137
386-445-2500 / FAX 386-445-1122

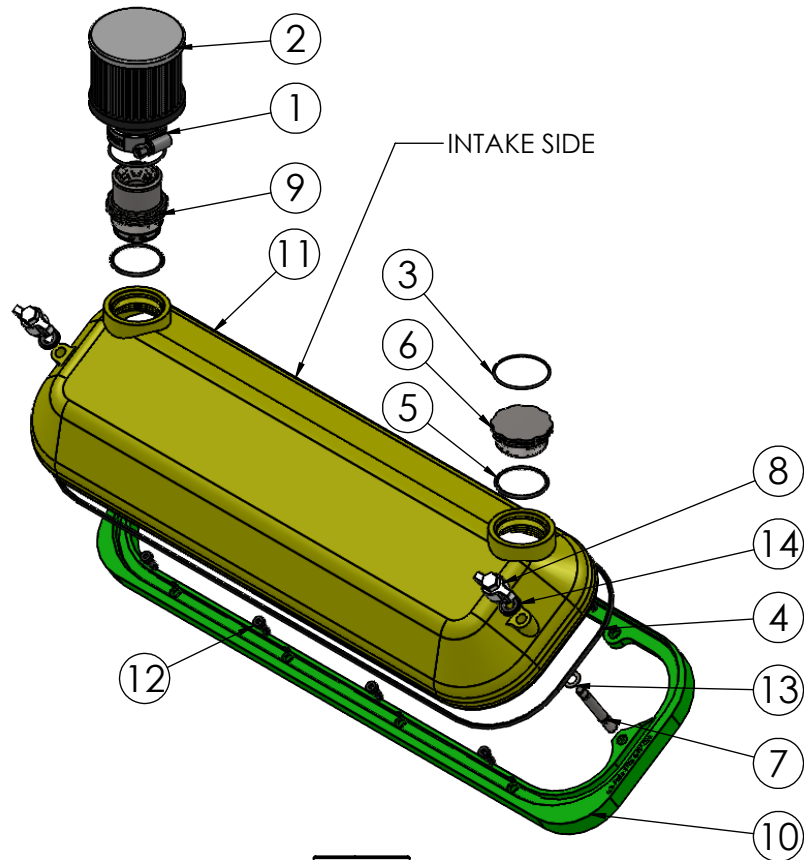
PART NO.

755-843X

TITLE:

2PC VALVE COVER-INSTALLATION

www.hardin-marine.com

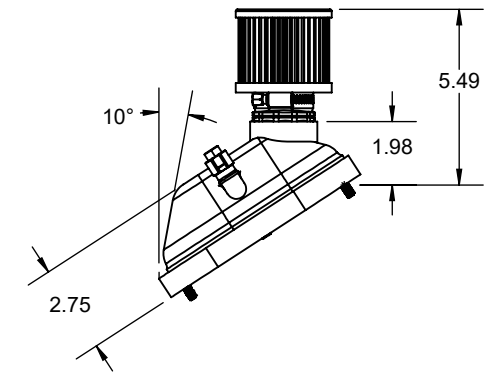
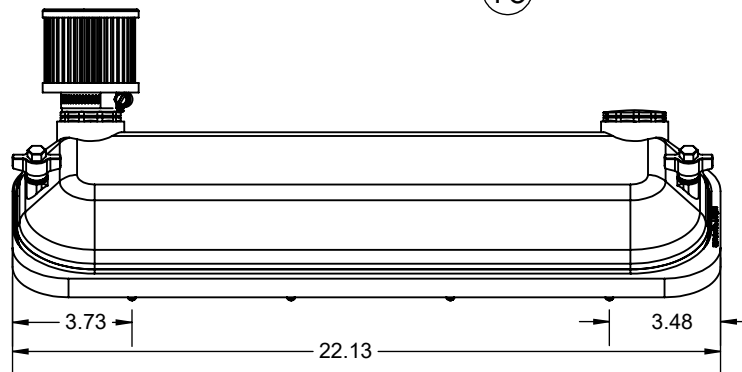


| ITEM NO. | PART NUMBER | DESCRIPTION | QTY. |
|----------|--------------|-----------------------------|------|
| 1 | 100-720-1120 | HOSE CLAMP | 2 |
| 2 | 620-70153 | BREATHER, 1-1/2 | 2 |
| 3 | 625-1029 | O-RING | 4 |
| 4 | 625-1282 | O-RING 2PC VALVE COVER | 2 |
| 5 | 625-1920 | O-RINGS | 4 |
| 6 | 755-8401 | CAP, 2 PC VALVE COVER | 2 |
| 7 | 755-8402 | STUD, KE VC | 4 |
| 8 | 755-8403 | KNOB, 2PC VALVE COVER | 4 |
| 9 | 755-8404 | BREATHER, EXTENSION 2PC V/C | 2 |
| 10 | 755-8407 | RAIL, RECEIVER | 2 |
| 11 | 755-8410 | VALVE COVER, KE 2 PC | 2 |
| 12 | 90025C02LHB | BOLT, 1/4-20x5/8 | 14 |
| 13 | 90031AN-TNSS | WASHER, 5/16 AN | 4 |
| 14 | 90031PS-STSS | WASHER, 5/16 SEALING | 4 |

KIT COMES IN PAIRS TO DO 1 ENGINE!

INSTALLATION INSTRUCTIONS

- 1) IF YOU PURCHASED 755-8430 PLAIN SET YOU WILL NEED TO ASSEMBLE THE VALVE COVERS.
- 2) SLIDE #13 WASHERS OVER #7 STUDS.
- 3) SIDE STUDS INTO VALVE COVERS. INSTALL #14 WASHER. APPLY GREEN LOCTITE AND INSTALL #8 NUT. TO TIGHTEN DOUBLE NUT THE BOTTOM OF THE STUD WITH 3/8-16 JAM NUTS.
- 4) MOUNT #10 RAIL TO THE HEAD USING #12 BOLTS. WE RECOMEND USING 755-8421 HI-PERFORMANCE SILICONE GASKETS. USING 1/8 HEX SOCKET TORQUE TO 120/130 INCH LBS..
- 5) OIL #4 O-RING AND INSTALL INTO THE GROOVE IN THE VALVE COVER.
- 6) USING THE THUMB SCREWS, TIGHTEN VALVE COVER TILL IT JUST TOUCHES THE RECEIVER RAIL. NOW PUSH DOWN ON THE INTAKE SIDE OF THE COVER. TIGHTEN SCREWS A FEW TURNS AND PUSH ON THE INTAKE SIDE AGAIN. CONTINUE SLOWLY TIGHTEN THE SCREWS AND PUSHING DOWN ON THE INTAKE SIDE TILL THE VALVE COVER IS SEATED AGAINST THE RECEIVER RAIL. USING 1/2 SOCKET TORQUE TO 20-25 FT. LBS..
- 7) INSTALL OIL CAP AND BREATHERS. THESE VALVE COVERS ARE MACHINED TO -20 AN. THE INSIDE OF #9 BREATHER EXTENSION IN ALL MACHINED FOR 1" NPT THREADS.



THIS DRAWING IS CONFIDENTIAL AND IS SUPPLIED ON EXPRESS CONDITION THAT IT SHALL NOT BE LENT, COPIED OR DISCLOSED TO ANY OTHER PERSON OR USED FOR ANY OTHER PURPOSE WITHOUT WRITTEN CONSENT OF HARDIN MARINE INC.. BREACH OF THIS CONTRACT WILL HOLD AND IT'S PRINCIPALS LIABLE FOR LOSS AND DAMAGES.