

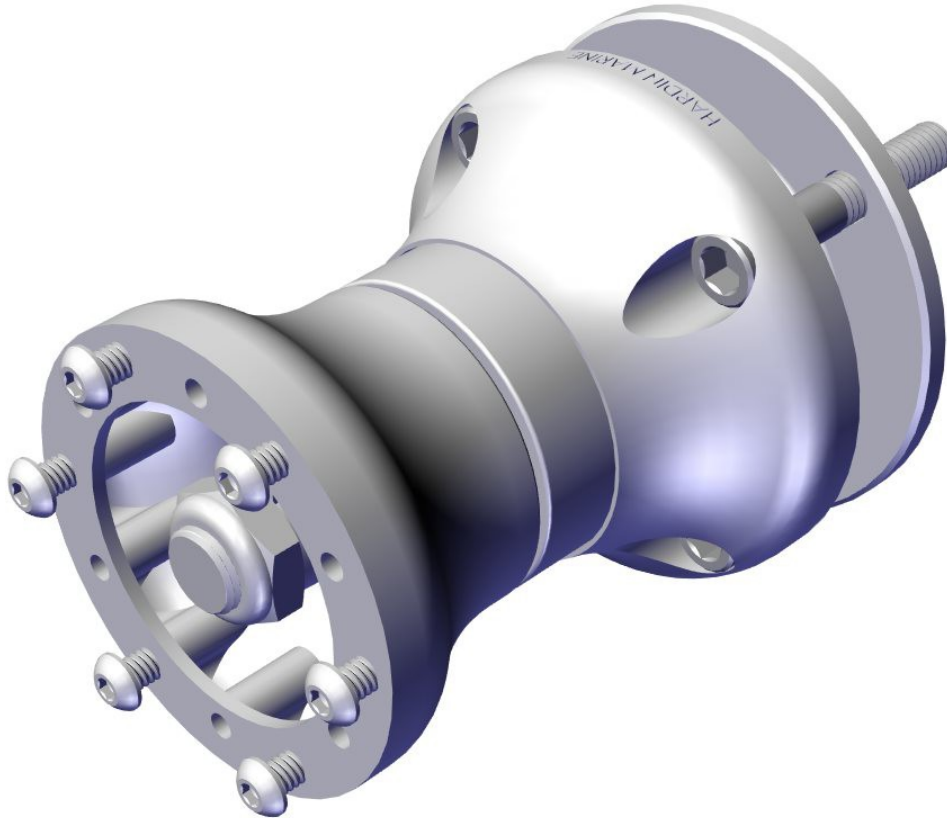


MAYFAIR STEERING POST

137-9120

137-9121

137-9122



- 137-9120 4" FROM DASH
- 137-9121 6" FROM DASH
- 137-9122 8" FROM DASH

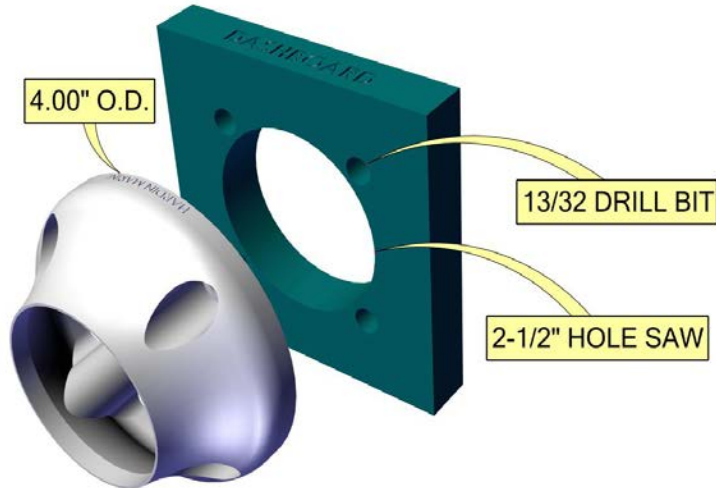


MAYFAIR STEERING POST

137-9120

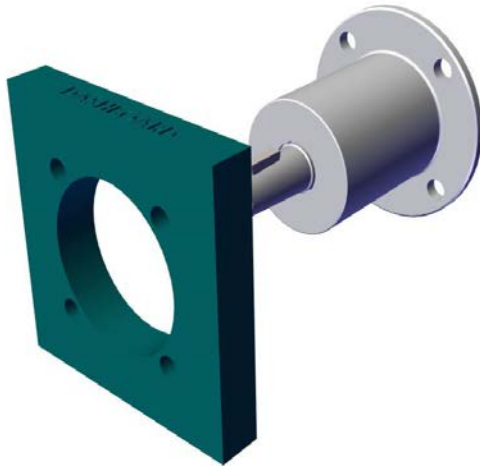
137-9121

137-9122



STEP 1:

- 1) CENTERMARK THE CENTER HOLE AND 4 MOUNTING HOLES.
- 2) USE 137-9103 HELM RING TO FIND PLACEMENT ON DASH.
- 3) USE 2-1/2" HOLE SAW FOR CENTER HOLE
- 4) USE 13/32 FOR THE 4 MOUNTING HOLES.

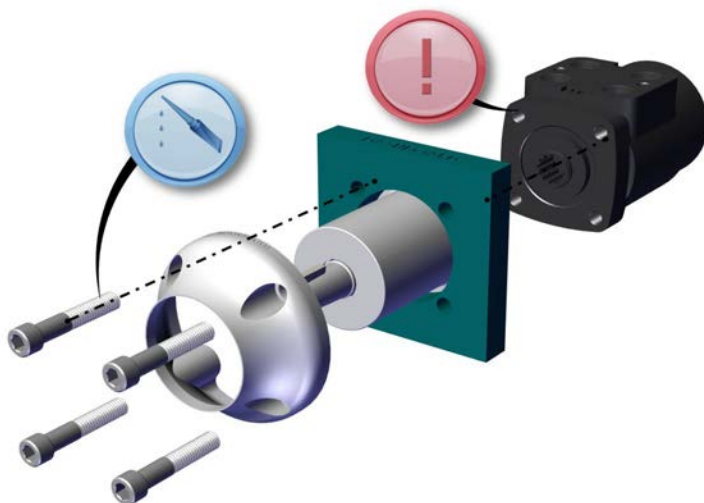


STEP 2:

- 1) INSTALL STEERING POST FROM BEHIND THE DASH.

STEP 3:

- 1) APPLY BLUE LOCTITE TO THE 3/8 16 x 2.00 LONG BOLTS.
- 2) SLIDE HELM RING OVER POST.
- 3) SCREW BOLTS INTO THE HELM.
- 4) WARNING: MAKE SURE BOLTS DO NOT BOTTOM OUT IN THE HELM BEFORE IT TOUCHES THE POST.



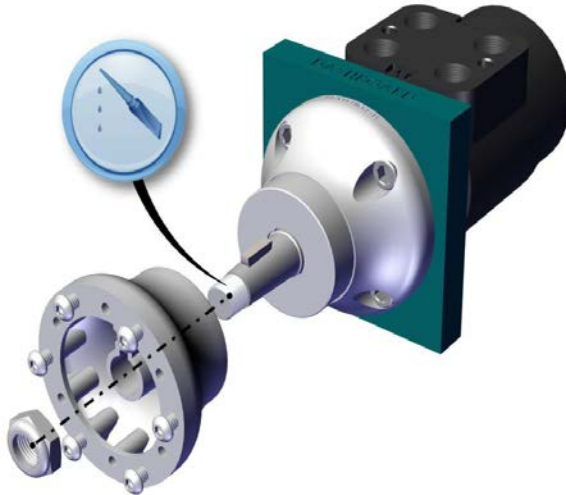


MAYFAIR STEERING POST

137-9120

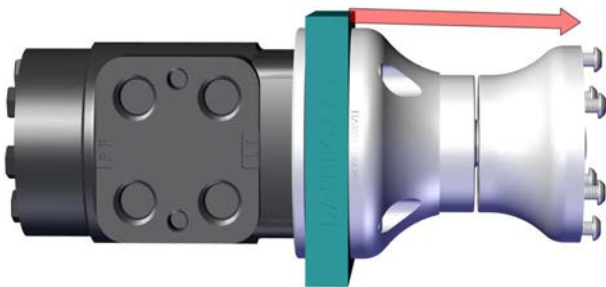
137-9121

137-9122



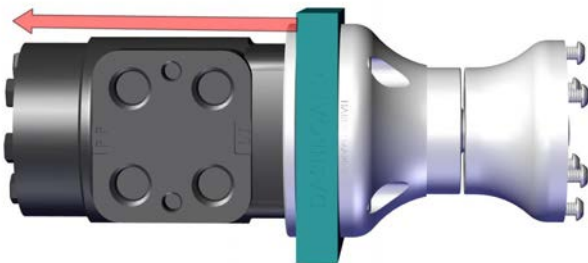
STEP 4:

- 1) APPLY ANTI SIEZE TO THE THREADS.
- 2) SLIDE ADAPTER ON TO SHAFT. IN POSITION WITH KEYWAY.
- 3) TORQUE TO 50 FT. LBS..



STEERING WHEEL MOUNTING
FACE DIMENSION WITH $\frac{3}{4}$ THICK
DASH

- 137-9120: 4"
- 137-9121: 6"
- 137-9122: 8"



HELM DEPTH BEHIND THE DASH

- 137-9145 SINGLE RAM: 5-3/4"
- 137-9146 DUAL RAM: 6-1/16"
- 137-9147 QUAD RAM: 6-9/16"

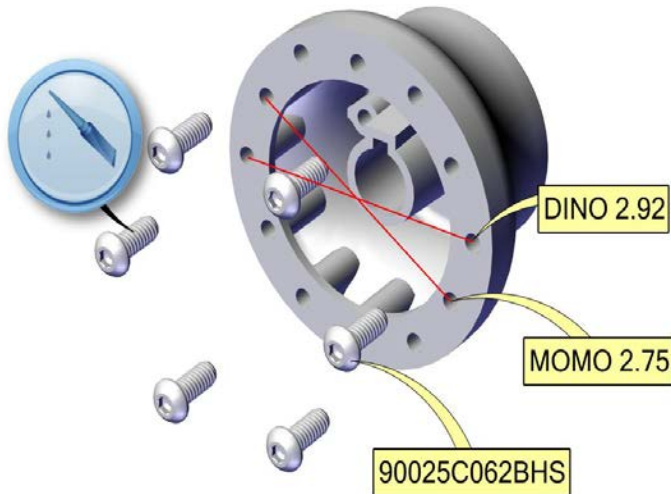


MAYFAIR STEERING POST

137-9120

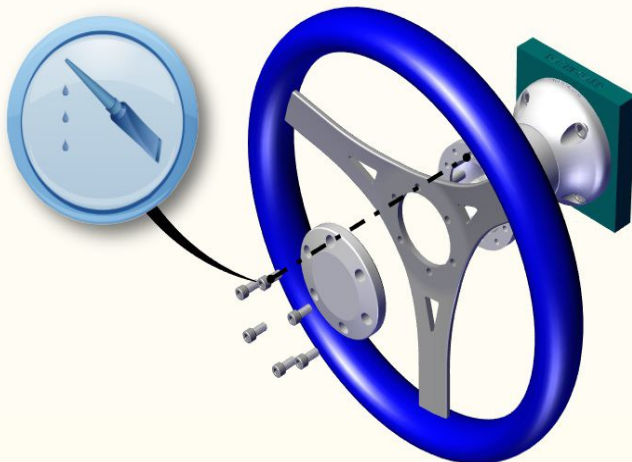
137-9121

137-9122



BOLT PATTERN

- MOMO 2.75 BETWEEN CENTERS
- DINO 2.92 BETWEEN CENTERS
- WE SEND WITH 1/4-20 BOLTS. USE LOCTITE ON THE BOLTS AND TORQUE TO 120 IN. LBS..



OPTIONAL HORN BUTTON

- 137-9130 MOMO
- 137-9131 DINO
- USE THE 1/4-20 BOLTS THAT COME WITH THE HORN BUTTON. USE LOCTITE ON THE BOLTS AND TORQUE TO 120 IN. LBS..

HARDIN MARINE

PART NUMBER: 137-9120

DESCRIPTION:

MAYFAIR STEERING COLUMN w/ 4" WHEEL ADAPTER

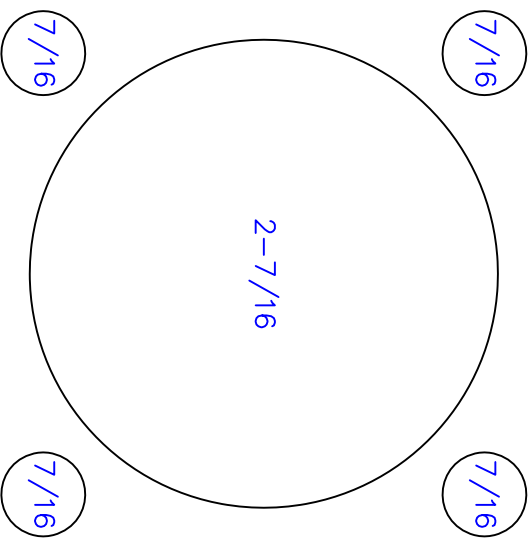
HARDIN MARINE TECH LINE:

EAST COAST 386-445-2500

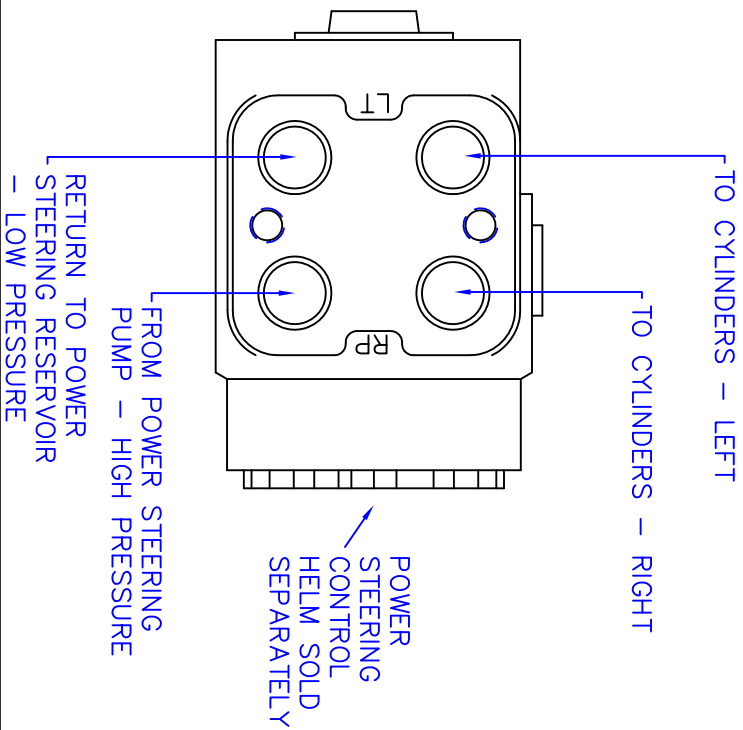
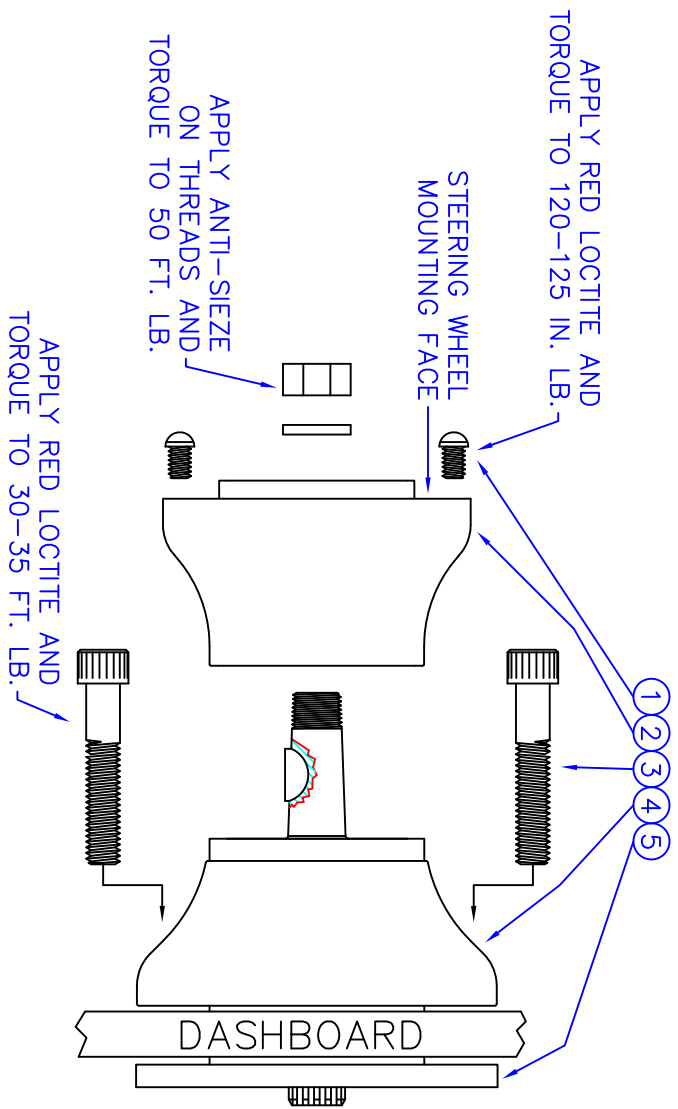
WEST COAST 707-585-9006

www.hardin-marine.com

ITEM	QTY.	PART NO.	DESCRIPTION
1	6	90025C062BHS	SCREW - BHCS - SS - 1/4x5/8
2	1	137-9104	ADAPTER, 4" STEERING WHEEL - MAYFAIR
3	4	90037C200SHS	SCREW - SHCS - SS - 3/8-16x2
4	1	137-9103	BEZEL, STEERING COLUMN - MAYFAIR
5	1	137-9128	MAYFAIR STEERING COLUMN BASE UNIT



DRILL TEMPLATE:
CUT OUT AND TAPE TO DASHBOARD. THIS WILL INSTALL THE HELM LIKE PICTURE BELOW OR AT ANY 90 DEGREES.

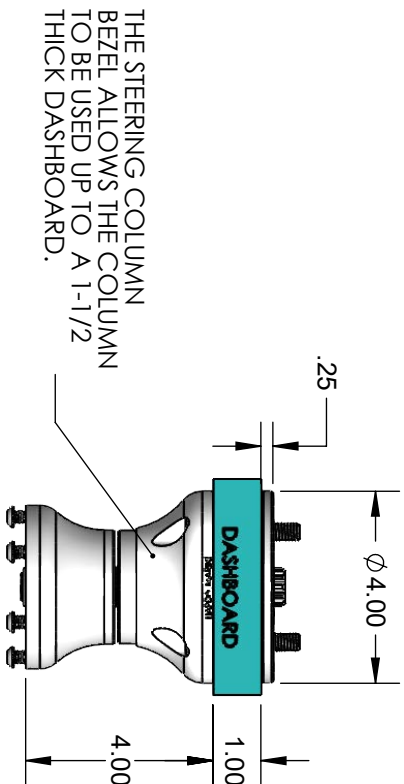
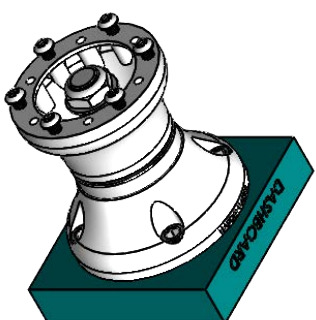


HARDIN MARINE 11 Industry Dr. Palm Coast, FL 32137
 386-445-2500 / FAX 386-445-1122

PART NO.
 137-9120

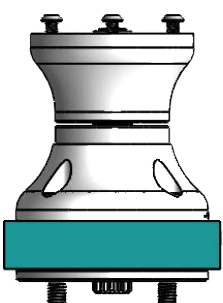
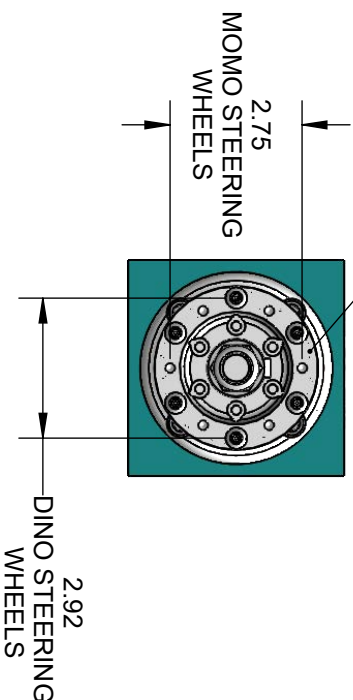
TITLE:
 4" STEERING COLUMN

THESE DIMENSIONS ARE THE REQUIRED DEPTH NEEDED BEHIND THE DASHBOARD FOR PROPER INSTALLATION WITH HARDIN HYDRAULIC HELMS.
 137-9145 SINGLE RAM HELM: 5-1/2"
 137-9146 DUAL RAM HELM: 5-13/16"
 137-9147 QUAD RAM HELM: 6-5/16"



THE STEERING COLUMN POSITIONS THE STEERING WHEEL MOUNTING FACE 4" AWAY FROM DASHBOARD, BASED ON 1" DASHBOARD THICKNESS. FOR ADDITIONAL SIZES, HARDIN ALSO SELLS 137-9121 6" COLUMN, 137-9122 8" COLUMN, 137-9140 10" COLUMN AND 137-9141 12" COLUMN.

STEERING WHEEL HUB IS THREADED FOR BOTH DINO & MOMO 6 BOLT HOLE PATTERNS. COLUMN COMES WITH (6) 1/4-20 x 5/8 BUTON HEAD CAP SCREWS FOR MOUNTING THE STEERING. THIS COLUMN CAN BE USED WITH OPTIONAL 137-9130 MOMO HORN BUTTON OR 137-9131 DINO HORN BUTTON.



KIT INCLUDES (4) 3/8-16x2" SOCKET CAP SCREWS TO MOUNT COLUMN THROUGH THE DASH TO THE HYDRAULIC HELM. BECAUSE DASHBOARD SIZES VARY, PLEASE INSURE THE BOLTS DO NOT BOTTOM OUT INTO THE HYDRAULIC HELM. HELM NEEDS TO BE SECURELY FASTENED AGAINST COLUMN.

HARDIN
MARINE

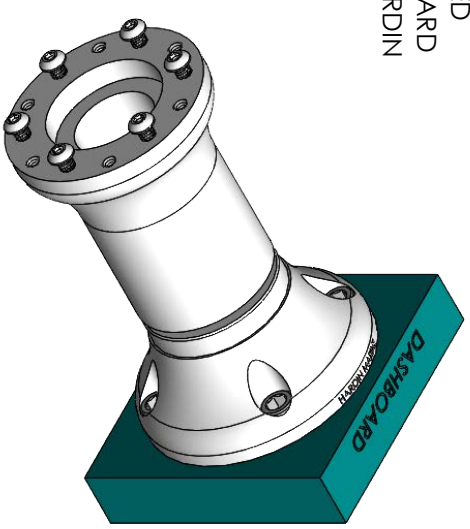
11 Industry Dr. Palm Coast, FL 32137
386-445-2500 / FAX 386-445-1122

PART NO.
137-9121

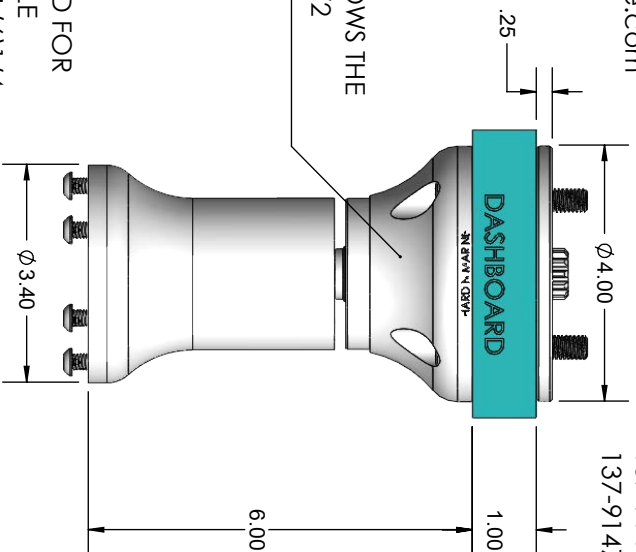
TITLE:
6" STEERING COLUMN

www.hardin-marine.com

THESE DIMENSIONS ARE THE REQUIRED DEPTH NEEDED BEHIND THE DASHBOARD FOR PROPER INSTALLATION WITH HARDIN HYDRAULIC HELMS.
137-9145 SINGLE RAM HELM: 5-1/2"
137-9146 DUAL RAM HELM: 5-13/16
137-9147 QUAD RAM HELM: 6-5/16

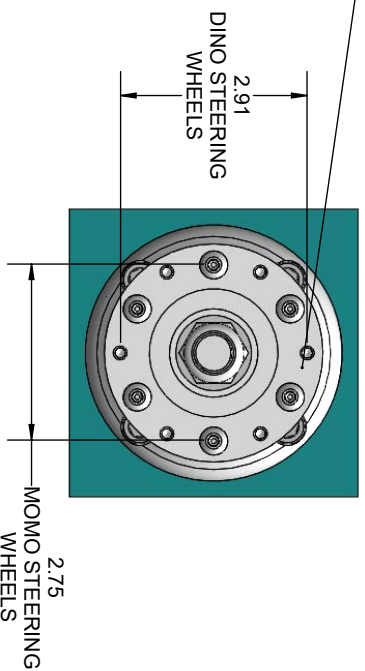


THE STEERING COLUMN BEZEL ALLOWS THE COLUMN TO BE USED UP TO A 1-1/2 THICK DASHBOARD.

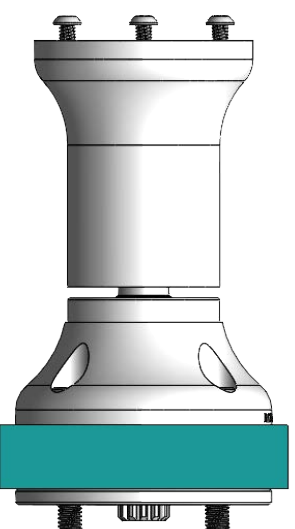


THE STEERING COLUMN POSITIONS THE STEERING WHEEL MOUNTING FACE 4" AWAY FROM DASHBOARD. BASED ON 1" DASHBOARD THICKNESS. FOR ADDITIONAL SIZES, HARDIN ALSO SELLS 137-9120 4" COLUMN, 137-9122 8" COLUMN, 137-9140 10" COLUMN AND 137-9141 12" COLUMN.

STEERING WHEEL HUB IS THREADED FOR BOTH DINO & MOMO 6 BOLT HOLE PATTERNS. COLUMN COMES WITH (6) 1/4-20 x 5/8 BUTTON HEAD CAP SCREWS FOR MOUNTING THE STEERING. THIS COLUMN CAN BE USED WITH OPTIONAL 137-9130 MOMO HORN BUTTON OR 137-9131 DINO HORN BUTTON.



KIT INCLUDES (4) 3/8-16x2" SOCKET CAP SCREWS TO MOUNT COLUMN THROUGH THE DASH TO THE HYDRAULIC HELM. BECAUSE DASHBOARD SIZES VARY, PLEASE INSURE THE BOLTS DO NOT BOTTOM OUT INTO THE HYDRAULIC HELM. HELM NEEDS TO BE SECURELY FASTENED AGAINST COLUMN.



THIS DRAWING IS CONFIDENTIAL AND IS SUPPLIED ON EXPRESS CONDITION THAT IT SHALL NOT BE LENT, COPIED OR DISCLOSED TO ANY OTHER PERSON OR USED FOR ANY OTHER PURPOSE WITHOUT WRITTEN CONSENT OF HARDIN MARINE INC.. BREACH OF THIS CONTRACT WILL HOLD AND ITS PRINCIPALS LIABLE FOR LOSS AND DAMAGES.

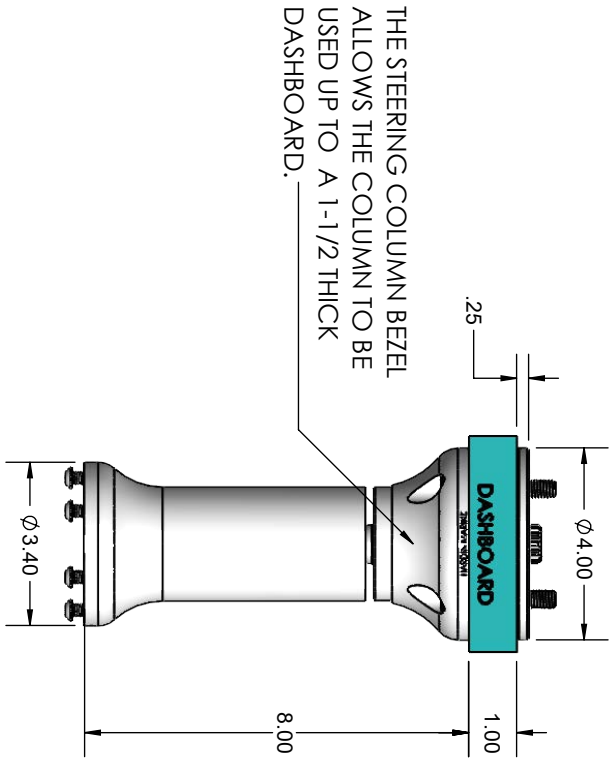
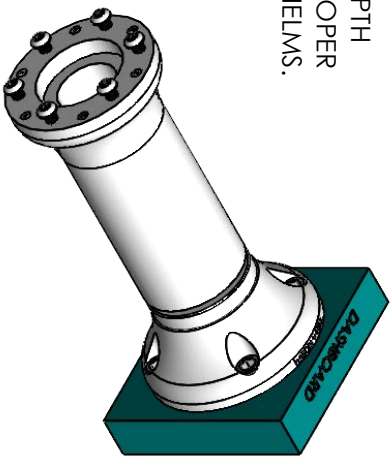
HARDIN MARINE
 11 Industry Dr. Palm Coast, FL 32137
 386-445-2500 / FAX 386-445-1122

PART NO.
 137-91221

TITLE:
8" STEERING COLUMN

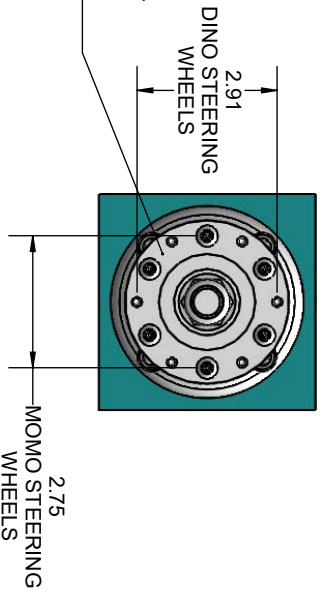
www.hardin-marine.com

THESE DIMENSIONS ARE THE REQUIRED DEPTH NEEDED BEHIND THE DASHBOARD FOR PROPER INSTALLATION WITH HARDIN HYDRAULIC HELMS.
 137-9145 SINGLE RAM HELM: 5-1/2"
 137-9146 DUAL RAM HELM: 5-13/16"
 137-9147 QUAD RAM HELM: 6-5/16"

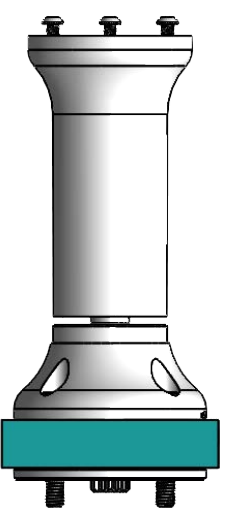


THE STEERING COLUMN POSITIONS THE STEERING WHEEL MOUNTING FACE 4" AWAY FROM DASHBOARD, BASED ON 1" DASHBOARD THICKNESS. FOR ADDITIONAL SIZES, HARDIN ALSO SELLS 137-9120 4" COLUMN, 137-9121 6" COLUMN, 137-9140 10" COLUMN AND 137-9141 12" COLUMN.

STEERING WHEEL HUB IS THREADED FOR BOTH DINO & MOMO 6 BOLT HOLE PATTERNS. COLUMN COMES WITH (6) 1/4-20 x 5/8 BUTTON HEAD CAP SCREWS FOR MOUNTING THE STEERING. THIS COLUMN CAN BE USED WITH OPTIONAL 137-9130 MOMO HORN BUTTON OR 137-9131 DINO HORN BUTTON.



KIT INCLUDES (4) 3/8-16x2" SOCKET CAP SCREWS TO MOUNT COLUMN THROUGH THE DASH TO THE HYDRAULIC HELM. BECAUSE DASHBOARD SIZES VARY, PLEASE INSURE THE BOLTS DO NOT BOTTOM OUT INTO THE HYDRAULIC HELM. HELM NEEDS TO BE SECURELY FASTENED AGAINST COLUMN.



THIS DRAWING IS CONFIDENTIAL AND IS SUPPLIED ON EXPRESS CONDITION THAT IT SHALL NOT BE LENT, COPIED OR DISCLOSED TO ANY OTHER PERSON OR USED FOR ANY OTHER PURPOSE WITHOUT WRITTEN CONSENT OF HARDIN MARINE INC.. BREACH OF THIS CONTRACT WILL HOLD AND IT'S PRINCIPALS LIABLE FOR LOSS AND DAMAGES.