

HARDIN  
MARINE

11 Industry Dr. Palm Coast, FL 32137  
386-445-2500 / FAX 386-445-1122

PART NO.

410-1502

TITLE:

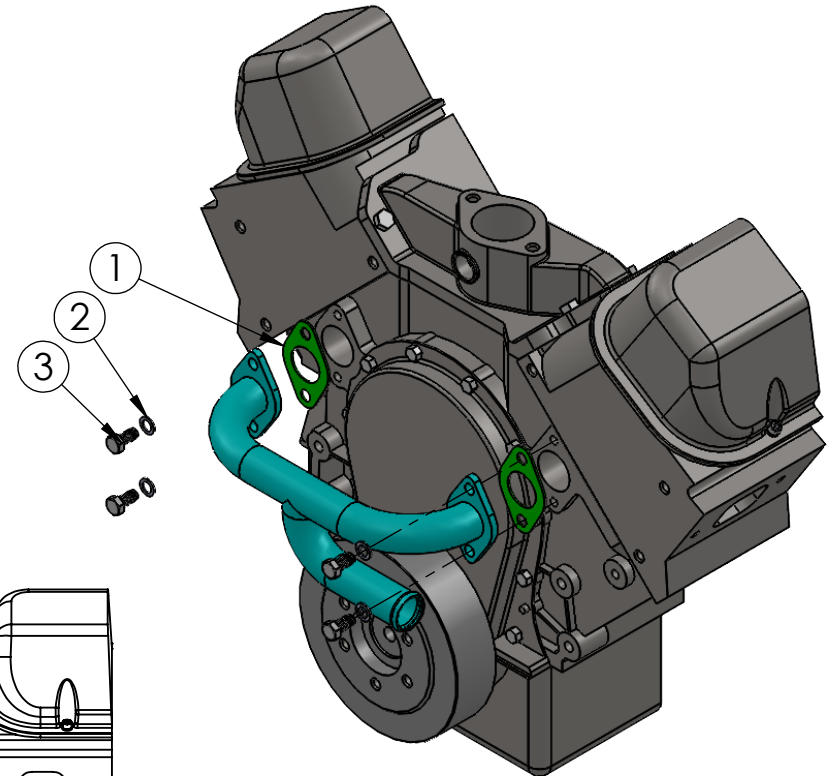
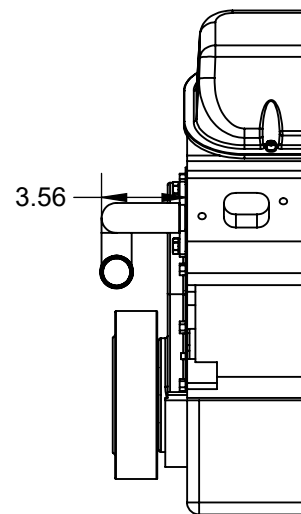
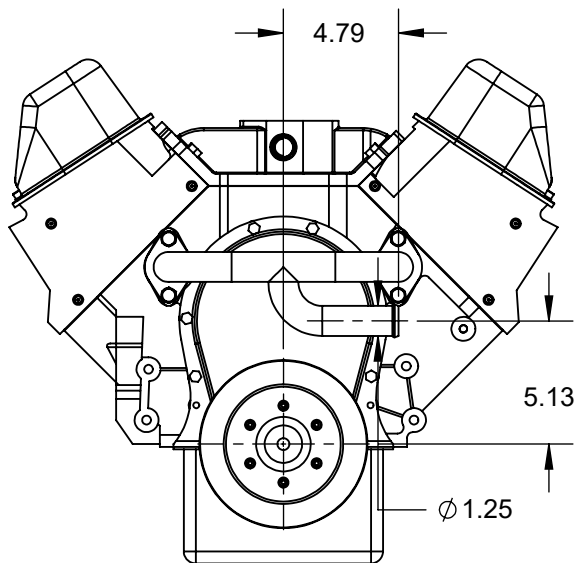
## BBC PORT ENTRY CROSSOVER

ITEM NO.	PART NUMBER	DESCRIPTION	QTY.
1	620-05112K	GASKET, BBC WATER INLET	2
2	90037AN-STSS	WASHER, 3/8 AN	4
3	90037C075HHS	BOLT, 3/8-16 x .75	4

www.hardin-marine.com

### INSTALLATION INSTRUCTIONS:

- 1) APPLY BRUSH TACH TO BOTH SIDES OF THE GASKETS AND INSTALL ON THE ENGINE BLOCK.
- 2) INSTALL BOLTS AND WASHERS INSTALL CROSSOVER TO THE BLOCK. USING 9/16 SOCKET TORQUE BOLTS TO 30 FT. LBS..
- 3) ATTACH 1-1/4 HOSE COMING FROM THE OIL COOLERS.
- 4) DO NOT USE WITH THERMOSTAT IN THE WATER SYSTEM.



THIS DRAWING IS CONFIDENTIAL AND IS SUPPLIED ON EXPRESS CONDITION THAT IT SHALL NOT BE LENT, COPIED OR DISCLOSED TO ANY OTHER PERSON OR USED FOR ANY OTHER PURPOSE WITHOUT WRITTEN CONSENT OF HARDIN MARINE INC.. BREACH OF THIS CONTRACT WILL HOLD ..... AND IT'S PRINCIPALS LIABLE FOR LOSS AND DAMAGES.