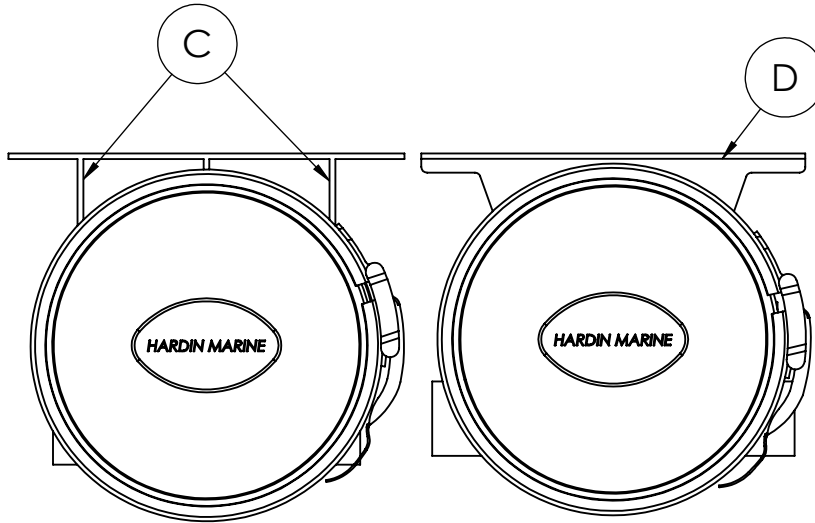


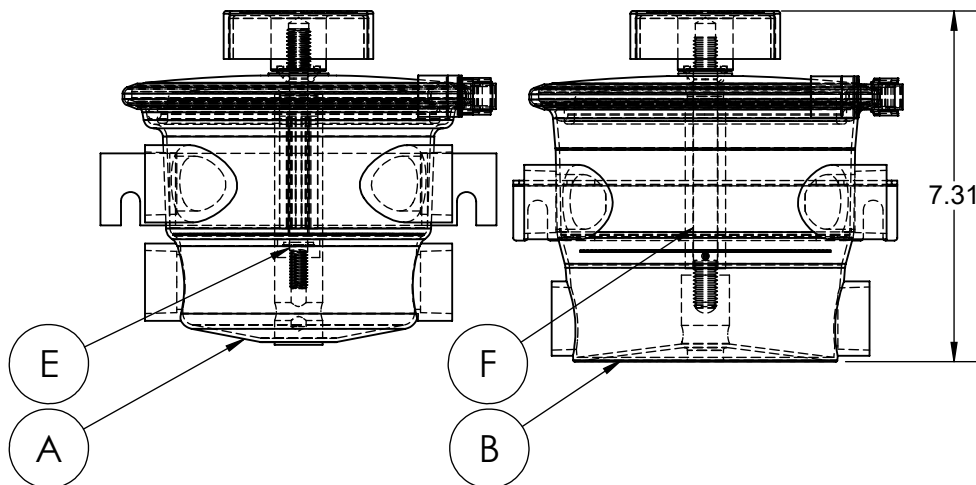
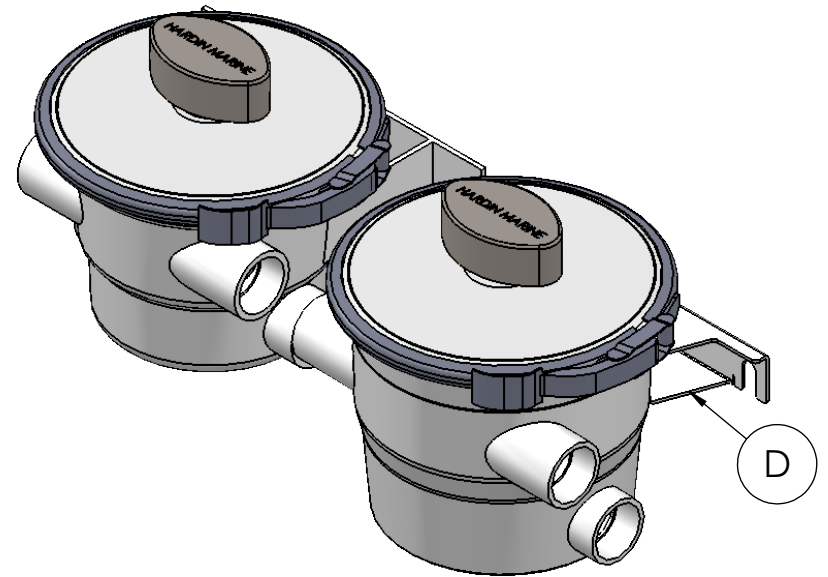
TITLE:
DIFFERENCE BETWEEN GENERATIONS 1 & 2

www.hardin-marine.com



GENERATION 1

GENERATION 2



DIFFERENCES:

- 1) GENERATION 1 HAS A DOMED BOTTOM, FIG. A, GENERATION 2 HAS A FLAT BOTTOM, FIG. B.
- 2) GENERATION 1 MOUNTING BRACKET HAS 3 FLAT BRACES, FIG. C. GENERATION 2 HAS A CHANNELED FORMED BRACKET, FIG. D.
- 3) GENERATION 1 USED A ϕ 3/8 SHAFT, FIG. E. GENERATION 2 USES A ϕ 1/2 SHAFT, FIG. F.