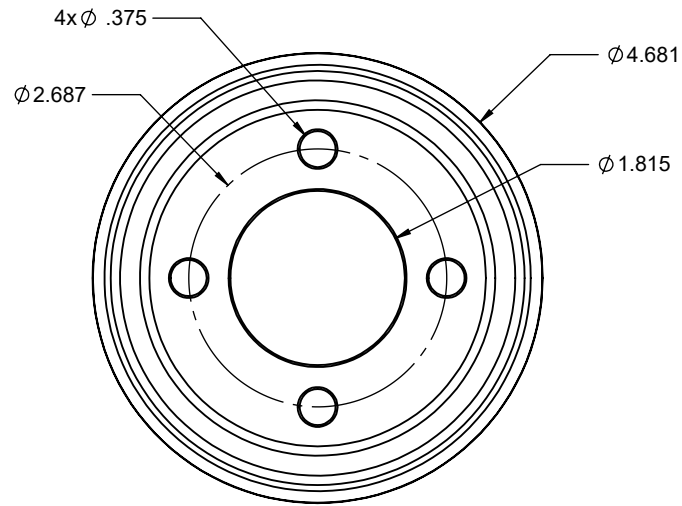
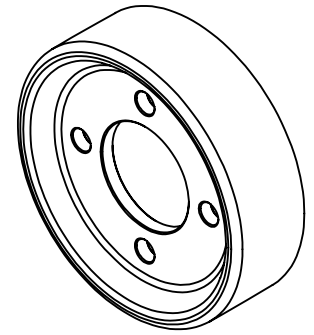


HARDIN 11 Industry Dr. Palm Coast, FL 32137
MARINE 386-445-2500 / FAX 386-445-1122

PART NO.
421-230

TITLE:
PULLEY, MERCURY 496 CIRCULATION PUMP

www.hardin-marine.com



COMES IN BOTH 421-225 & 421-226 KITS.

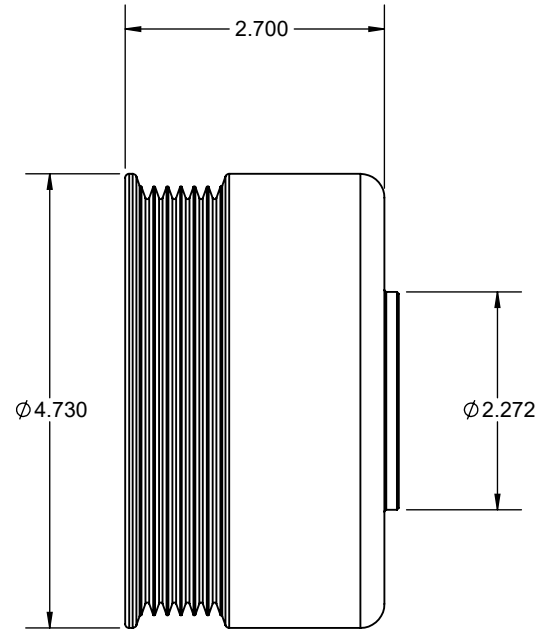
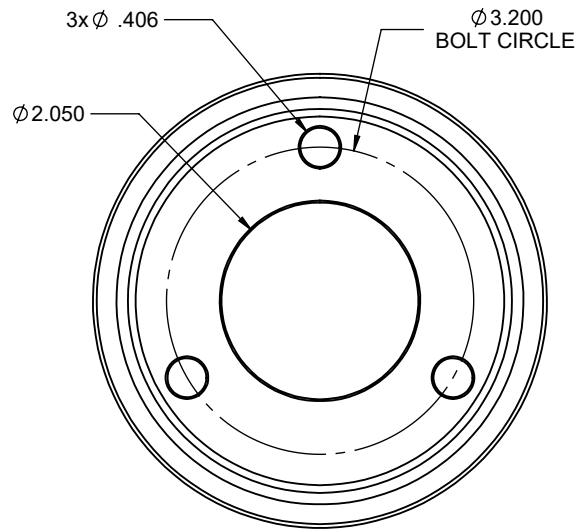
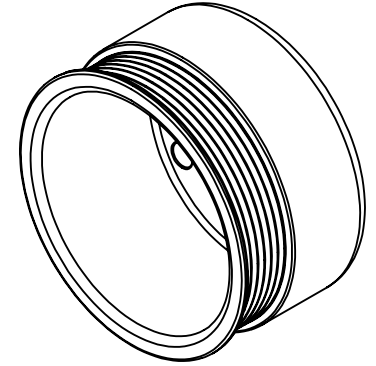
THIS DRAWING IS CONFIDENTIAL AND IS SUPPLIED ON EXPRESS CONDITION THAT IT SHALL NOT BE LENT, COPIED OR DISCLOSED TO ANY OTHER PERSON OR USED FOR ANY OTHER PURPOSE WITHOUT WRITTEN CONSENT OF HARDIN MARINE INC.. BREACH OF THIS CONTRACT WILL HOLD AND IT'S PRINCIPALS LIABLE FOR LOSS AND DAMAGES.

HARDIN 11 Industry Dr. Palm Coast, FL 32137
MARINE 386-445-2500 / FAX 386-445-1122

PART NO.
421-231

TITLE:
PULLEY, CRANK - MERCURY 496

www.hardin-marine.com



COMES IN BOTH 421-225 & 421-226 KITS.

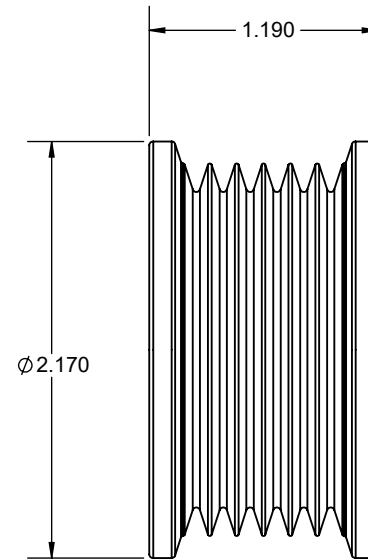
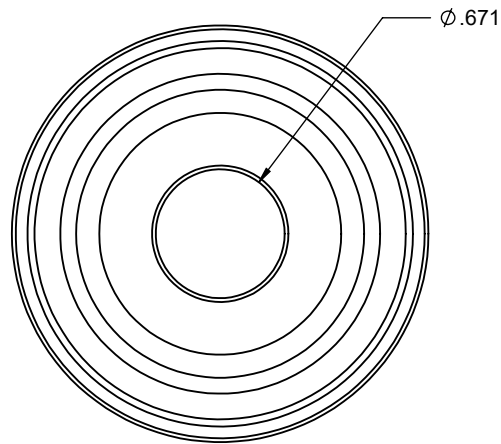
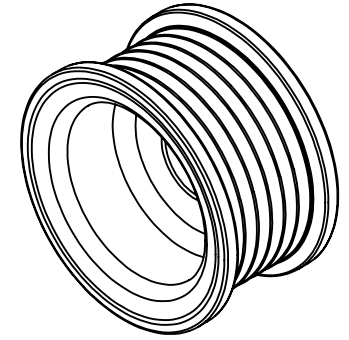
THIS DRAWING IS CONFIDENTIAL AND IS SUPPLIED ON EXPRESS CONDITION THAT IT SHALL NOT BE LENT, COPIED OR DISCLOSED TO ANY OTHER PERSON OR USED FOR ANY OTHER PURPOSE WITHOUT WRITTEN CONSENT OF HARDIN MARINE INC.. BREACH OF THIS CONTRACT WILL HOLD AND IT'S PRINCIPALS LIABLE FOR LOSS AND DAMAGES.

HARDIN 11 Industry Dr. Palm Coast, FL 32137
MARINE 386-445-2500 / FAX 386-445-1122

PART NO.
421-235

TITLE:
PULLEY, ALTERNATOR - MERCURY 496

www.hardin-marine.com



COMES IN BOTH 421-225 & 421-226 KITS.

THIS DRAWING IS CONFIDENTIAL AND IS SUPPLIED ON EXPRESS CONDITION THAT IT SHALL NOT BE LENT, COPIED OR DISCLOSED TO ANY OTHER PERSON OR USED FOR ANY OTHER PURPOSE WITHOUT WRITTEN CONSENT OF HARDIN MARINE INC.. BREACH OF THIS CONTRACT WILL HOLD AND IT'S PRINCIPALS LIABLE FOR LOSS AND DAMAGES.

HARDIN 11 Industry Dr. Palm Coast, FL 32137
MARINE 386-445-2500 / FAX 386-445-1122

PART NO.
421-238

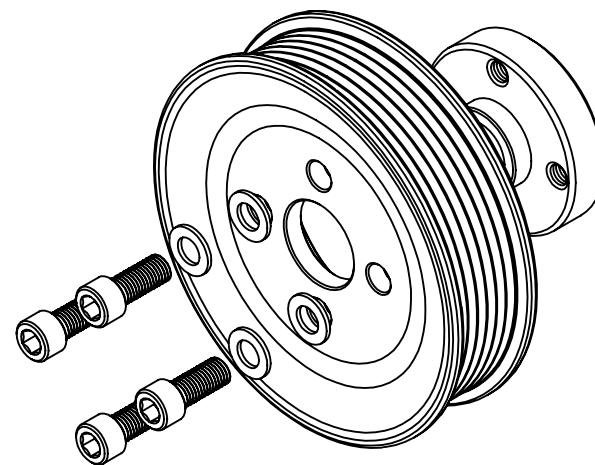
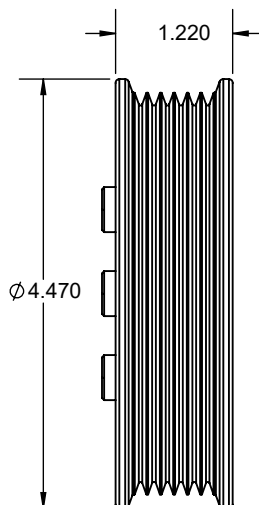
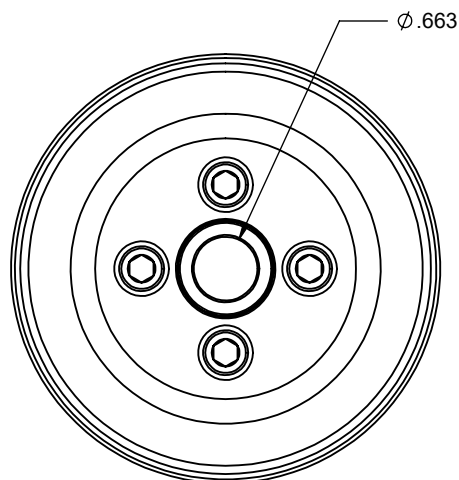
TITLE: MERCURY 496 POWER STEERING
PULLEY AND 17MM HUB.

www.hardin-marine.com

FITS

- * 496 MAG BASE & HO: 0W310000 & UP.
- * 496 MAG EC BASE & HO: 1A066164 thru 1A350440.
- * 496 HO BRAVO: 1G4000000 & UP.
- * 8.2 MAG BASE & HO: 1S351597 & UPS.
- * 8.2 MAG EC BASE & HO: 1A350240 & UP.

COMES IN 421-226 KIT



WARNING:

DO NOT PRESS THE PULLEY HUB ON TO THE POWER STEERING SHAFT. THE HUB NEEDS TO BE PULLED ON THE SHAFT USING A GM POWER STEERING PULLEY INSTALLER. USE RED LOCTITE ON THE BOLTS AND TORQUE TO 20 FT. LBS.