

HARDIN MARINE 11 Industry Dr. Palm Coast, FL 32137
386-445-2500 / FAX 386-445-1122

PART NO.
421-32

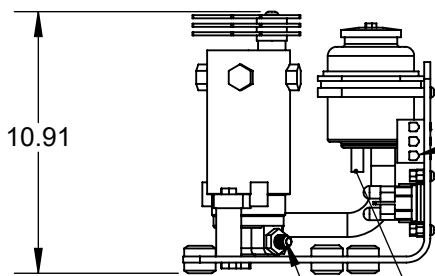
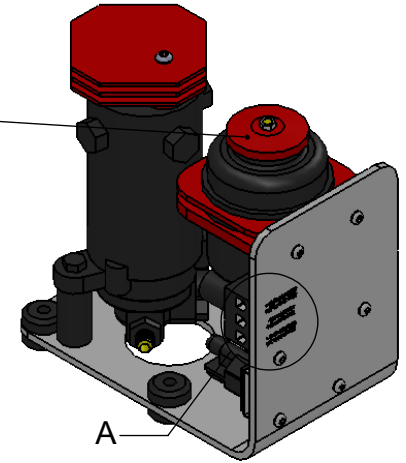
TITLE:
ELECTRIC POWER STEERING PUMP

www.hardin-marine.com

NOTE:
THIS PUMP CAN PULL UP TO 60AMPS OF POWER, ANYTHING LESS THAN 8 GAUGE WIRE WILL OVER HEAT THE PUMP AND COULD CAUSE AN ELECTRICAL FIRE.

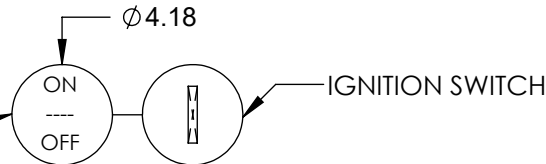
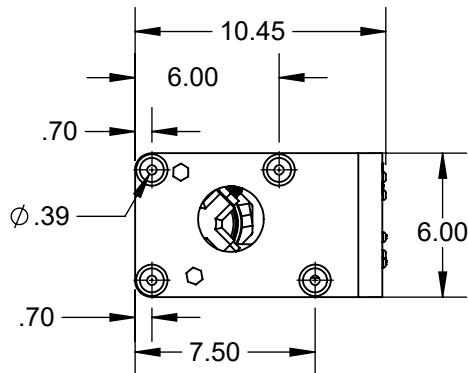
NOTE:
IT IS IMPORTANT THAT THE ELECTRIC PUMP IS INSTALLED IN A DRY AND WELL VENTILATED AREA. FRESH AIR IS IMPORTANT FOR COOLING!

USE GM POWER STEERING FLUID 10-5074



-6 JIC HI-PRESSURE OUTLET

1/2 BARB LOW PRESSURE RETURN



MIN. 10 AMP SWITCH. THIS ALLOWS YOU TO TURN THE PUMP OFF WHILE STARTING THE MOTOR(S), DRIVING ON LONG STRAIGHT AWAYS OR WHEN IT'S NOT NECESSARY TO RUN. THIS IS A POWER ASSIST SYSTEM WHICH MEANS YOU CAN STEER THE BOAT WITHOUT THE PUMP RUNNING IF NEEDED.

+ FROM BATTERY
USE -8 AWG WIRE

- FROM BATTERY
USE -8 AWG WIRE

+ FROM IGNITION
USE -12 AWG WIRE

DETAIL A
SCALE 1 : 1

