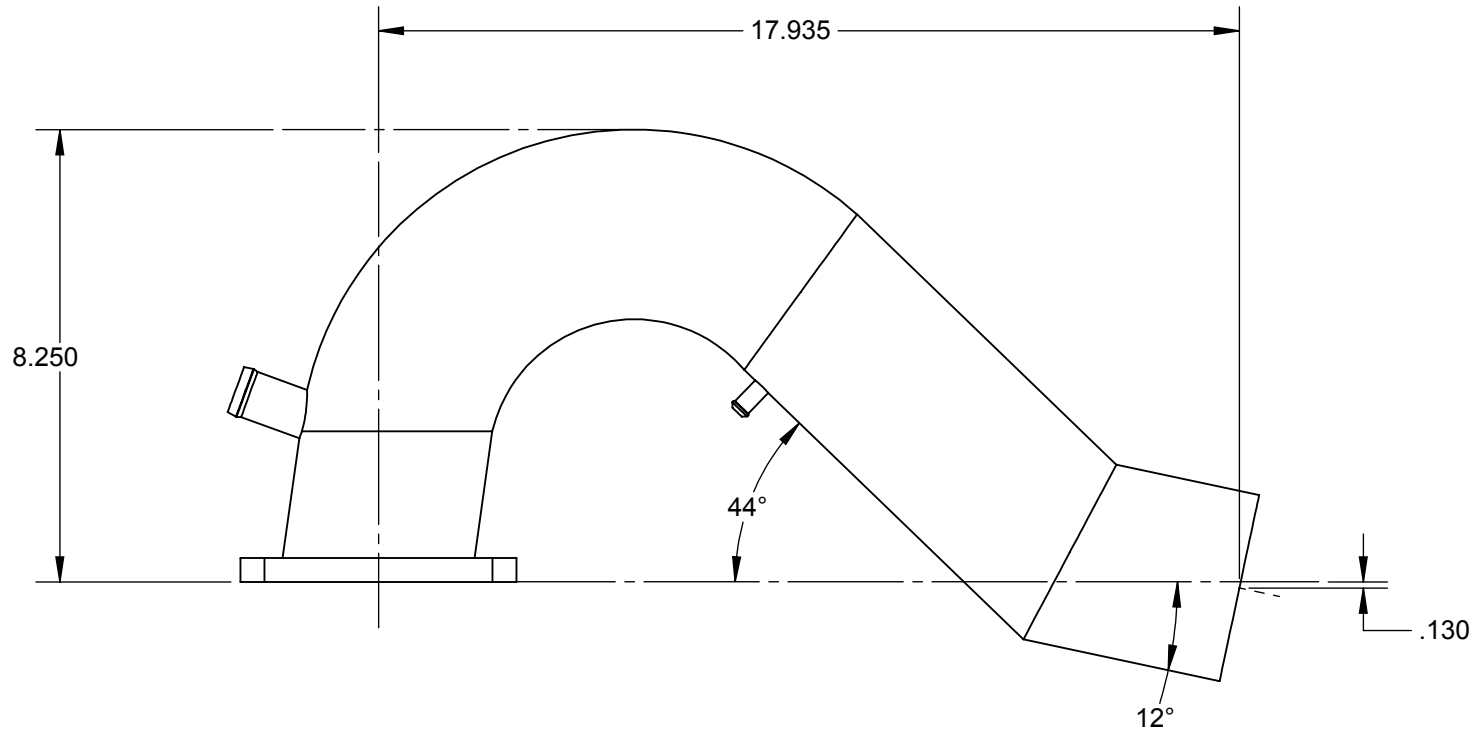


NOTE:
 1) BREAK ALL EDGES .02x45°, UNLESS NOTED.



THIS DRAWING IS CONFIDENTIAL AND IS SUPPLIED ON EXPRESS CONDITION THAT IT SHALL NOT BE LENT, COPIED OR DISCLOSED TO ANY OTHER PERSON OR USED FOR ANY OTHER PURPOSE WITHOUT WRITTEN CONSENT OF HARDIN MARINE INC.. BREACH OF THIS CONTRACT WILL HOLD AND IT'S PRINCIPALS LIABLE FOR LOSS AND DAMAGES.

UNLESS OTHERWISE SPECIFIED:		HARDIN MARINE		11 Industry Dr. Palm Coast, FL 32137	
DIMENSIONS ARE IN INCHES				386-445-2500 / FAX 386-445-1122	
TOLERANCES:		TITLE: HP500 WET TAILPIPES			
FRACTIONAL ±		SIZE	DWG. NO.	PART NO.	REV
ANGULAR: MACH ± 2° BEND ±		A	620-32330	620-32330	
TWO PLACE DECIMAL ± .015		SCALE: 1:4 DRAWN BY: J.P.STULL DATE: 06/13/13			
THREE PLACE DECIMAL ± .005					
MATERIAL					
316 STAINLESS					
FINISH					
POLISHED					