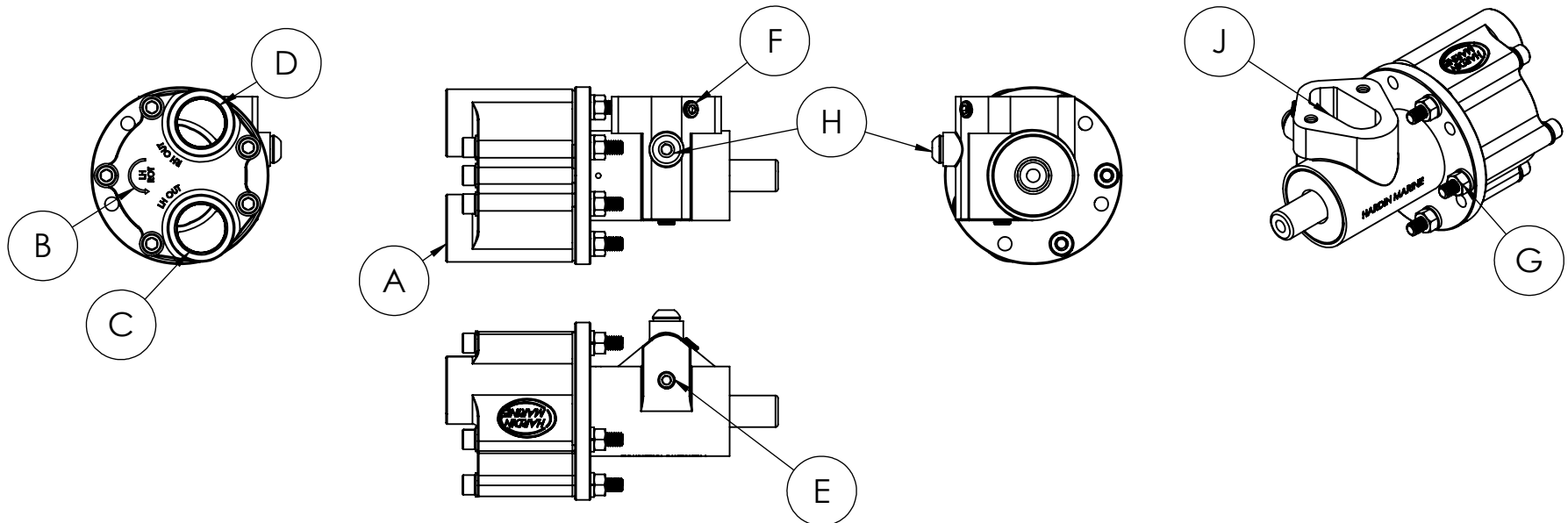


TITLE:
GEN 5/6 SEA PUMP

Installation instructions:

- 1) Only use liquid pipe thread sealer to install fittings into the back of the pump. Fig A. If you have 625-4112 pump, you do not need to install fittings.
- 2) Look at directional arrow casting in the pump housing, Fig B. This is the typical rotation of the pulley when mounted on the starboard side looking from the rear of the engine. That means you have a standard rotation engine. Attached the water outlet hose to Fig. C. If you pulley turns opposite direction, attach to outlet Fig. D.
- 3) Apply liquid pipe thread sealer to the supplied 1/8 npt pipe plugs.
- 4) Install pipe plug into the bottom of the pump, Fig. E. This is your oil drain hole.
- 5) If you are not using 625-4221 Vent Equalizer, install pipe plug into Fig. F.
- 6) Install pump into your stock bracket using the supplied lock washers and nut, Fig. G. Torque to 20 ft lbs..
- 7) Remove the bolt and washer using 7/32 allen key, Fig. H.
- 8) Fill housing, Fig. J, with Quicksilver High Performance Gear lube until the oil starts coming out Fig. H threaded hole. Reinstall bolt and washer. Torque to 80 inch lbs..
- 9) Install your stock fuel pump, not shown.
- 10) When install pulley hub or stock pulley. Remember to grease the shaft. Only use a GM Power Steering Pulley Installer to install hub or pulley. If you press the hub or pulley on to the shaft you will damage the bearings.



TITLE:
GEN 5/6 VENT EQUALIZER

www.hardin-marine.com

THIS KIT IS DESIGNED TO ALLOW VENTING OF PRESSURE BUILD UP INSIDE THE SEAPUMP HOUSING THAT COULD CREATE PREMATURE FAILURE TO BE RELEASED THROUGH THE EXISTING FUEL PUMP VENT SYSTEM.

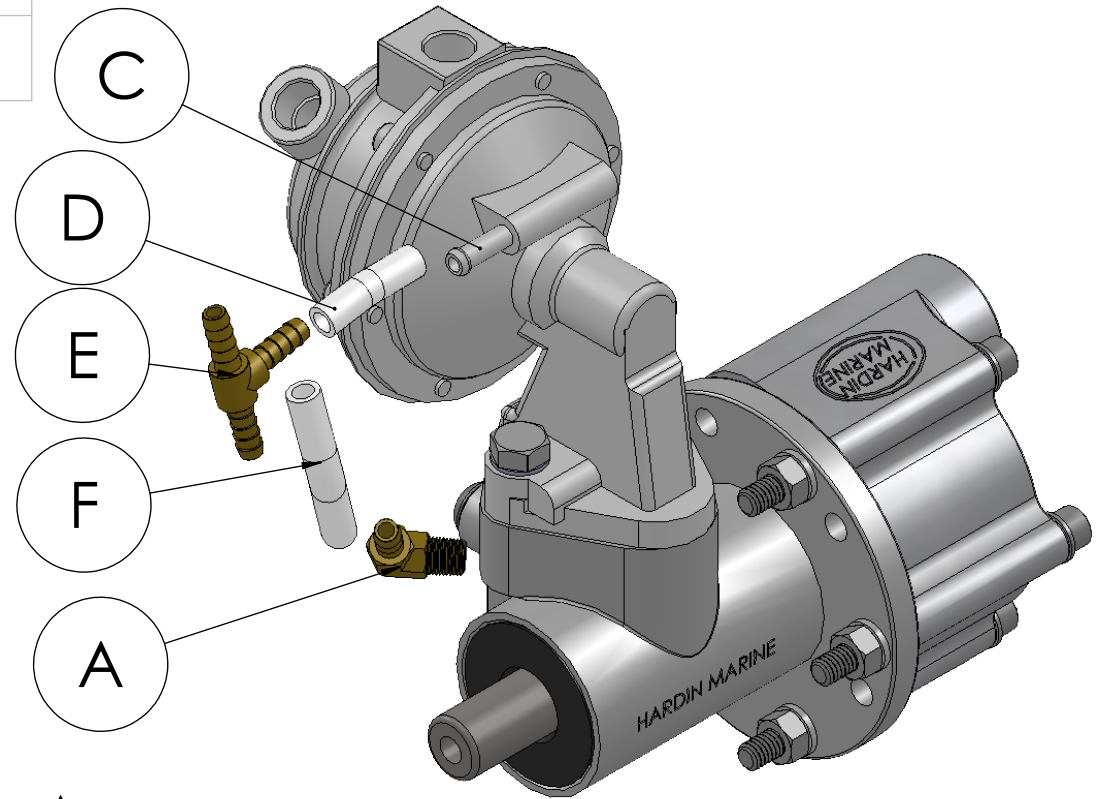
Note will work with all sea pumps listed below that the front housing has been tapped for 1/8 npt:

625-4112

625-4118

625-4176

625-4219



Install Instructions:

- 1) Apply liquid pipe tape to 625-4222 fitting, Fig. A.
- 2) Install into the threaded port just below the sea pump mounting flange, Fig. B.
- 3) Remove your existing hose from the burst vent barb, Fig. C.
- 4) Cut the supplied 625-4224 hose, Fig. D, to connect 625-4223 tee, Fig E to the burst vent barb.
- 5) Cut hose, Fig. F, to connect bottom fitting to the tee.
- 6) Reconnect the existing hose going to the flame arrestor to the tee. Kit is supplied with enough hose in case you want to replace the existing hose.
- 7) Install wire ties on all hose barb connections.

