

HARDIN
MARINE

11 Industry Dr. Palm Coast, FL 32137
386-445-2500 / FAX 386-445-1122

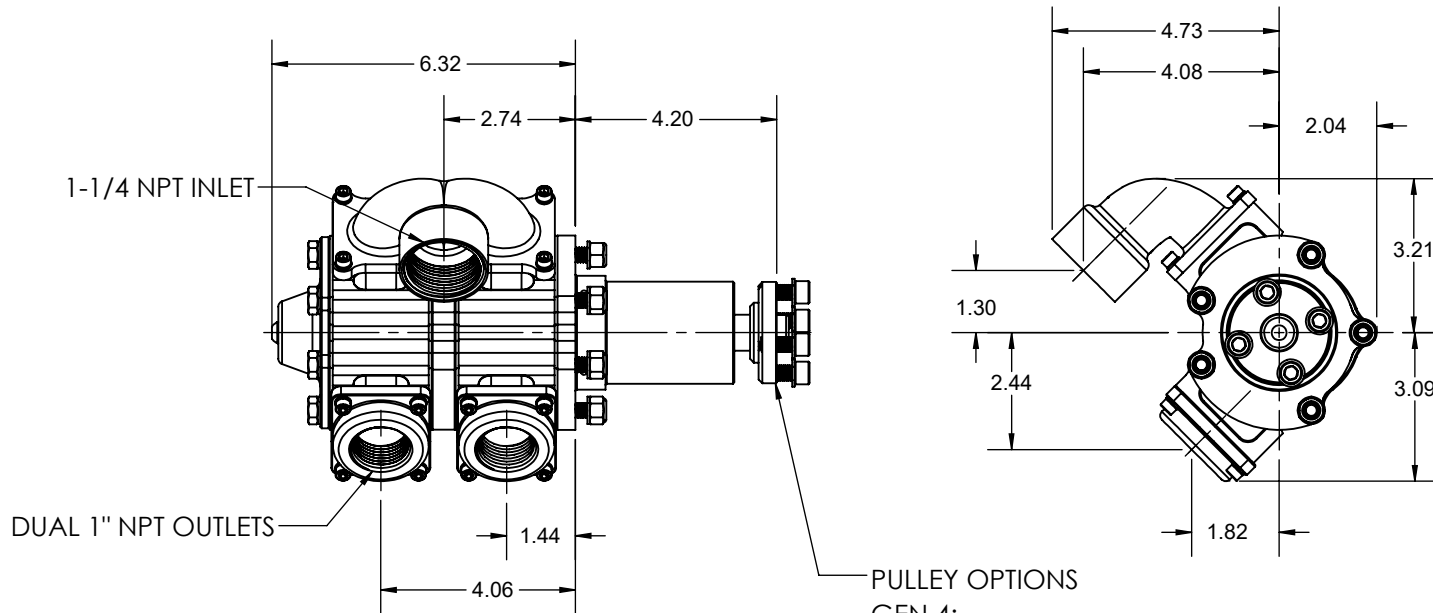
PART NO.

625-4134

TITLE:

MERCURY GEN 4 & 6 2 STAGE SEA PUMP

www.hardin-marine.com



IMPORTANT NOTES:

- 1) THIS PUMPS IS INSTALLED USING YOUR STOCK MERCURY BRACKETS.
- 2) YOU CAN USE THIS PUMP TO REPLACE GEN 5, 525, 600 & 700 SEA PUMPS IF YOU ARE NOT USING THE FUEL PUMP.

PULLEY OPTIONS

GEN 4:

- 1) REMOVE HUB AND PRESS ON YOUR STOCK V-GROOVE PULLEY.
- 2) PURCHASE 625-4024 BILLET V-GROOVE PULLEY AND BOLT ON TO THE HUB.

GEN 6:

- 1) REMOVE HUB AND PRESS ON YOUR STOCK PULLEY.
- 2) REMOVE HUB AND PURCHASE NEW 525-8M0147207 REPLACEMENT STOCK PULLEY.
- 3) PURCHASE 421-212 BILLET SERPENTINE PULLEY AND BOLT ON TO THE HUB.
- 4) IF YOU ENGINE HAS BOLT ON PULLEY. INSTALL ON THE THE HUB.
- 5) MERCURY 575, BOLT ON YOUR STOCK PULLEY.