

HARDIN MARINE 11 Industry Dr. Palm Coast, FL 32137  
386-445-2500 / FAX 386-445-1122

PART NO.  
625-4530

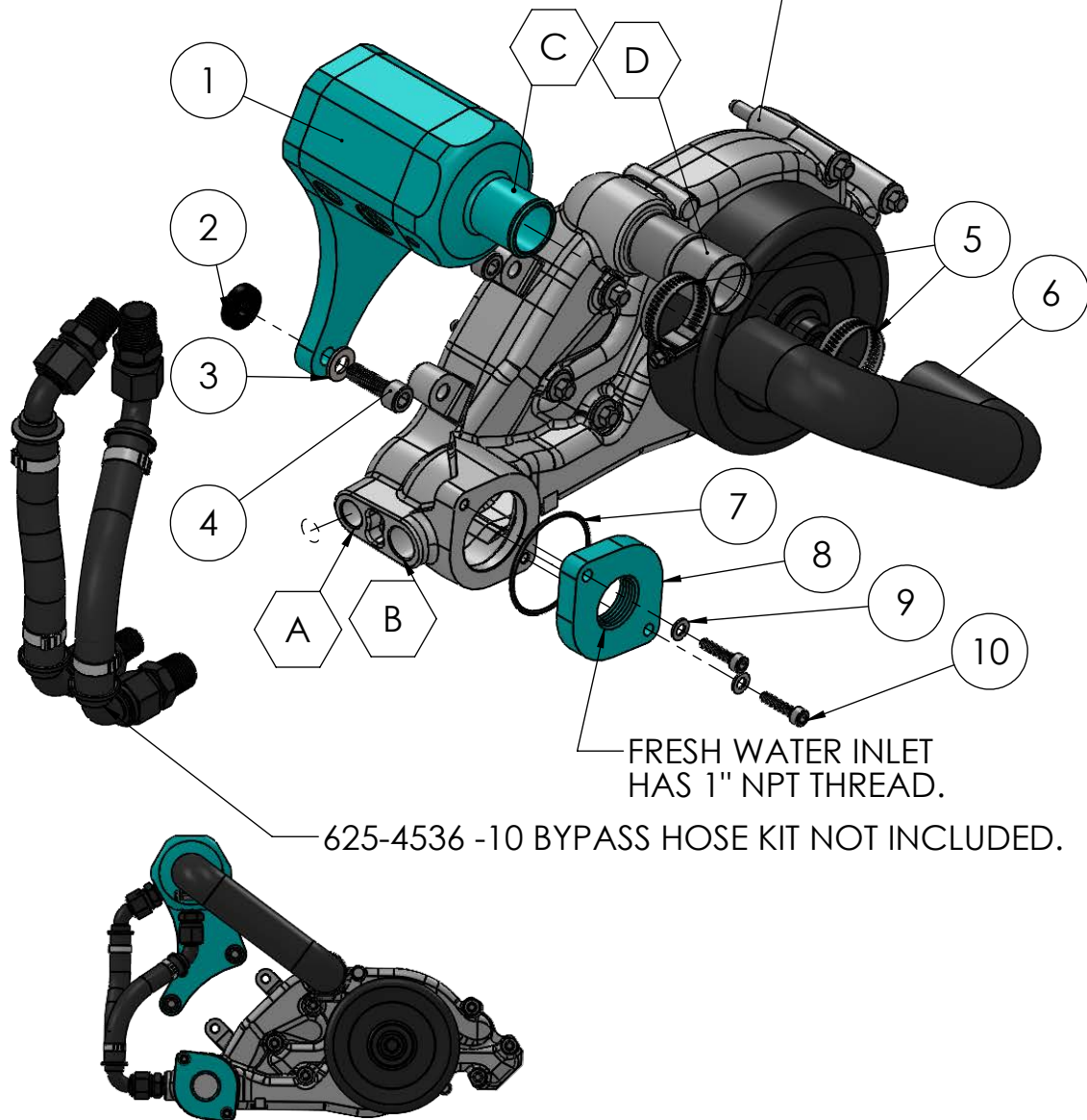
TITLE: LS THERMOSTATIC COOLING  
HOUSING INSTALLATION

www.hardin-marine.com

700-15401 CIRCULATING PUMP NOT INCLUDED. SAME  
AS GM 89018052 2009 & OLDER LS1,LS2, LS3 &LS7.

INSTALLATION INSTRUCTIONS:

- 1) KITS ONLY COMES WITH THE PARTS THAT ARE SHOWN WITH NUMBERS AND CYAN COLOR. CIRCULATING PUMP AND -10 BYPASS HOSE KIT SOLD SEPARATELY.
- 2) KIT IS DESIGNED TO USE 700-15401 CIRCULATING PUMP.
- 3) REMOVE THE STOCK STEEL WATER BYPASS TUBES FROM CIRCULATING PUMP. TAP HOLE CLOSEST TO BLOCK WITH 3/8 NPT TAP, FIG. A. TAP FRONT HOLE TO 1/2 NPT TAP, FIG. B. MAKE SURE NO ALUMINUM IS LEFT IN THE CIRCULATING PUMP.
- 4) APPLY GREASE TO #7 625-1140 O-RING AND INSTALL INTO THE GROOVE OF #8 625-4533 FRESH WATER INLET. INLET WAS 1" NPT THREAD.
- 5) INSTALL FRESH WATER INLET TO THE CIRCULATING PUMP USING #9 90025AN-STSS WASHERS AND #10 900M06C025SHS BOLTS. TORQUE TO 10 FT. LBS..
- 6) #1 THERMOSTAT HOUSING ASSEMBLY IS MOUNTED TO THE STARBOARD CYLINDER HEAD UPPER 2 BOLT HOLES. MAKE SURE TO INSTALL BOTH #2 625-3136 SPACERS BETWEEN THE BRACKET AND CYLINDER HEAD.
- 7) MOUNT USING #3 900M10AN-STSS WASHERS AND #4 900M10C030SHS BOLTS. TORQUE TO 30 FT. LBS..
- 8) INSTALL THE SHORTER LENGTH LEG OF #6 625-4534 HOSE TO THE THERMOSTAT HOUSING, FIG. C. THE OTHER SIDE ATTACHED TO WATER OUTLET BUNG ON THE CIRCULATING PUMP, FIG. D. INSTALL #5 100-720-6316 HOSE CLAMPS.
- 9) NOW YOU NEED TO INSTALL -10WATER BYPASS LINES. THIS WILL SUPPLY WATER TO EXHAUST UNTIL THE THERMOSTAT OPENS UP. WE SELL AN OPTIONAL 625-4536 BYPASS HOSE KIT.
- 10) GO TOO PLUMBING DIAGRAM TO FINISH INSTALLATION.



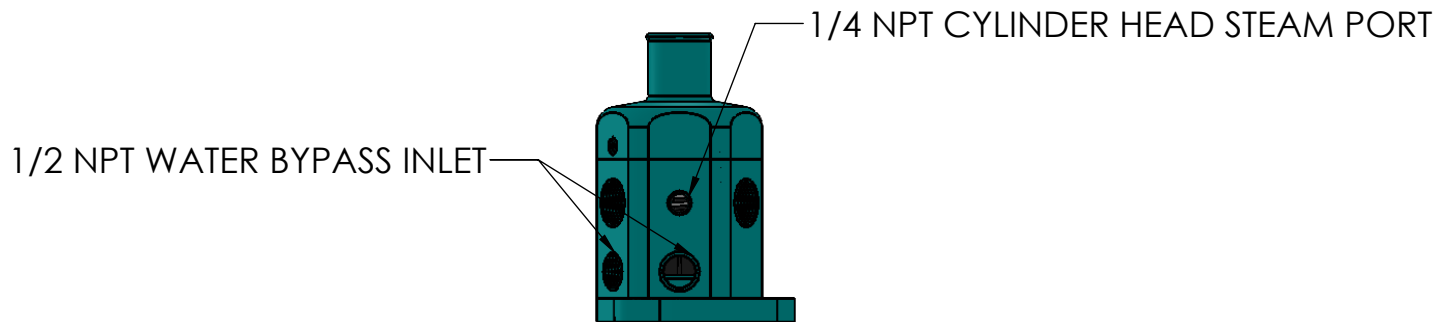
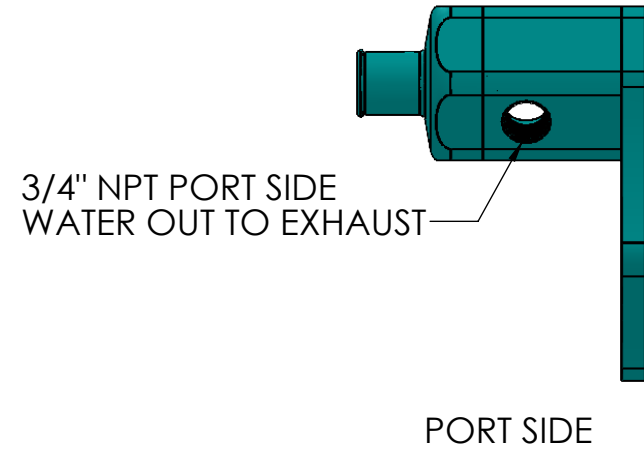
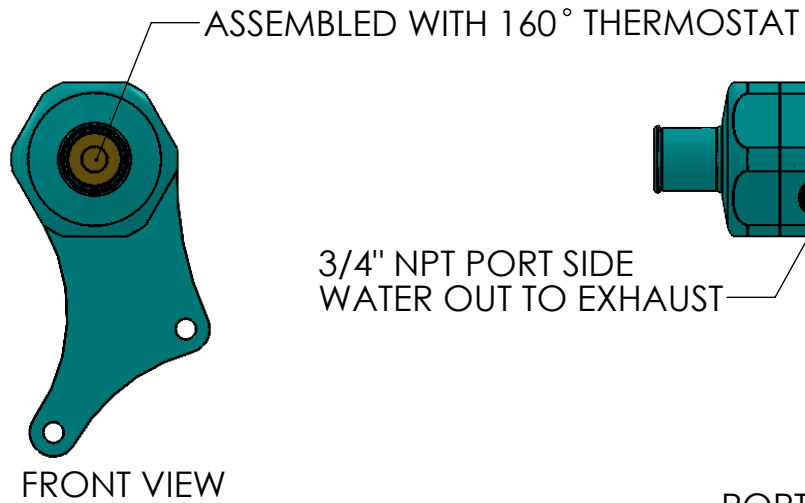
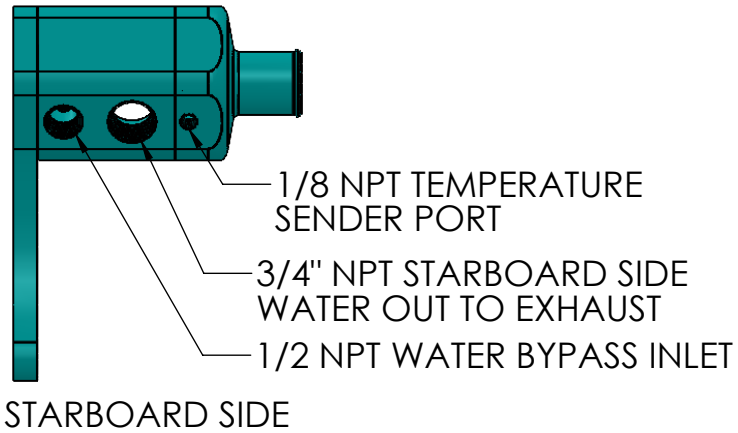
THIS DRAWING IS CONFIDENTIAL AND IS SUPPLIED ON EXPRESS CONDITION THAT IT SHALL NOT BE LENT, COPIED OR DISCLOSED TO ANY OTHER PERSON OR USED FOR ANY OTHER PURPOSE WITHOUT WRITTEN CONSENT OF HARDIN MARINE INC.. BREACH OF THIS CONTRACT WILL HOLD ..... AND IT'S PRINCIPALS LIABLE FOR LOSS AND DAMAGES.

HARDIN MARINE 11 Industry Dr. Palm Coast, FL 32137  
386-445-2500 / FAX 386-445-1122

PART NO.  
625-4530

TITLE: LS THERMOSTATIC COOLING  
HOUSING-PLUMBING DIAGRAM

www.hardin-marine.com

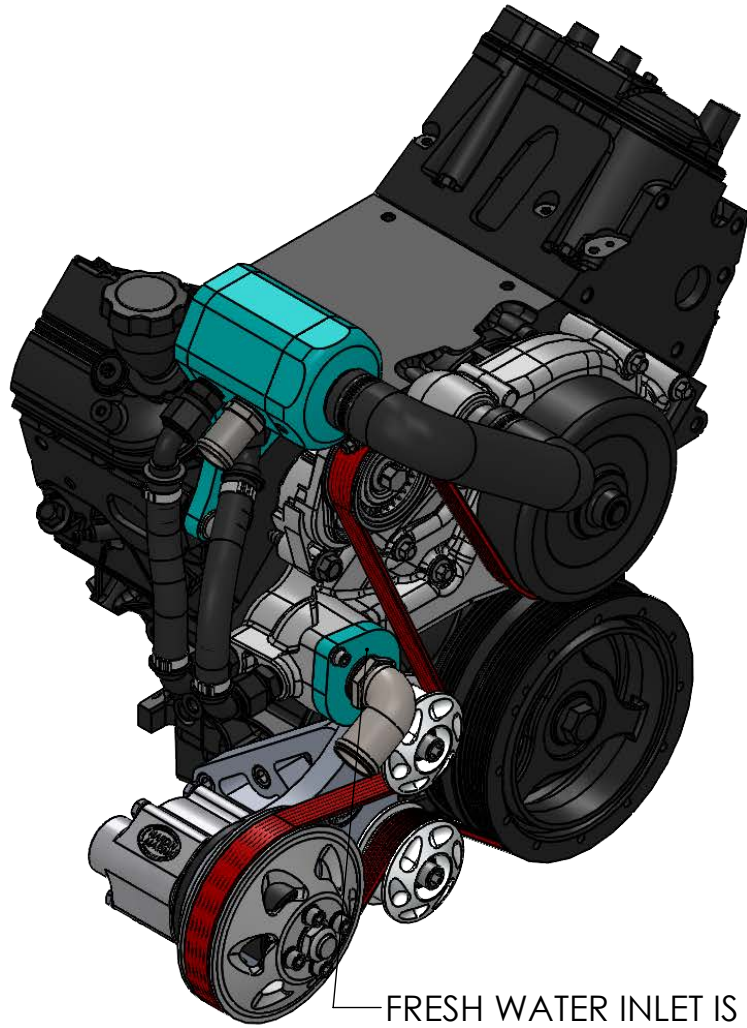


HARDIN MARINE 11 Industry Dr. Palm Coast, FL 32137  
386-445-2500 / FAX 386-445-1122

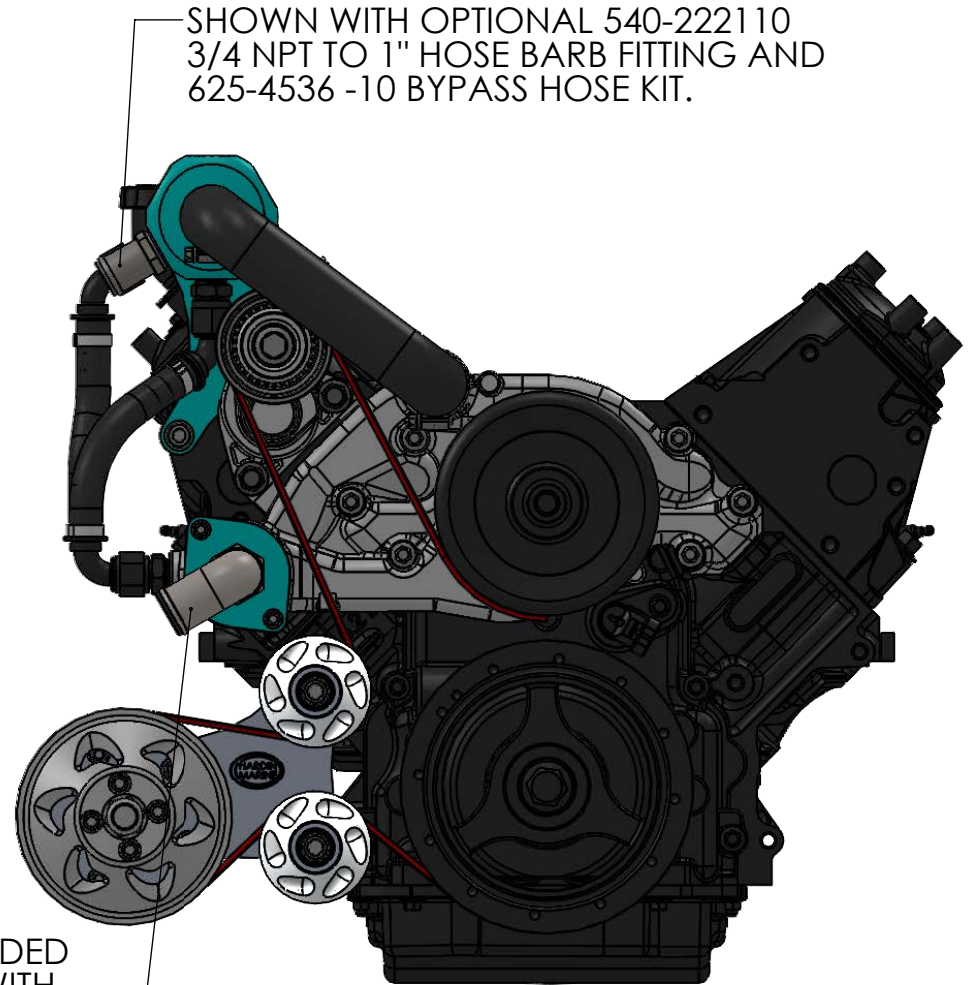
PART NO.  
625-4530

www.hardin-marine.com

TITLE: LS THERMOSTATIC COOLING  
HOUSING WATER INLET



FRESH WATER INLET IS THREADED FOR 1" NPT. SHOWN HERE WITH 540-222173 1" NPT TO 1-1/4 90 DEGREE HOSE BARB. FITTING NOT INCLUDED IN THE KIT.



SHOWN WITH OPTIONAL 540-222110 3/4 NPT TO 1" HOSE BARB FITTING AND 625-4536 -10 BYPASS HOSE KIT.

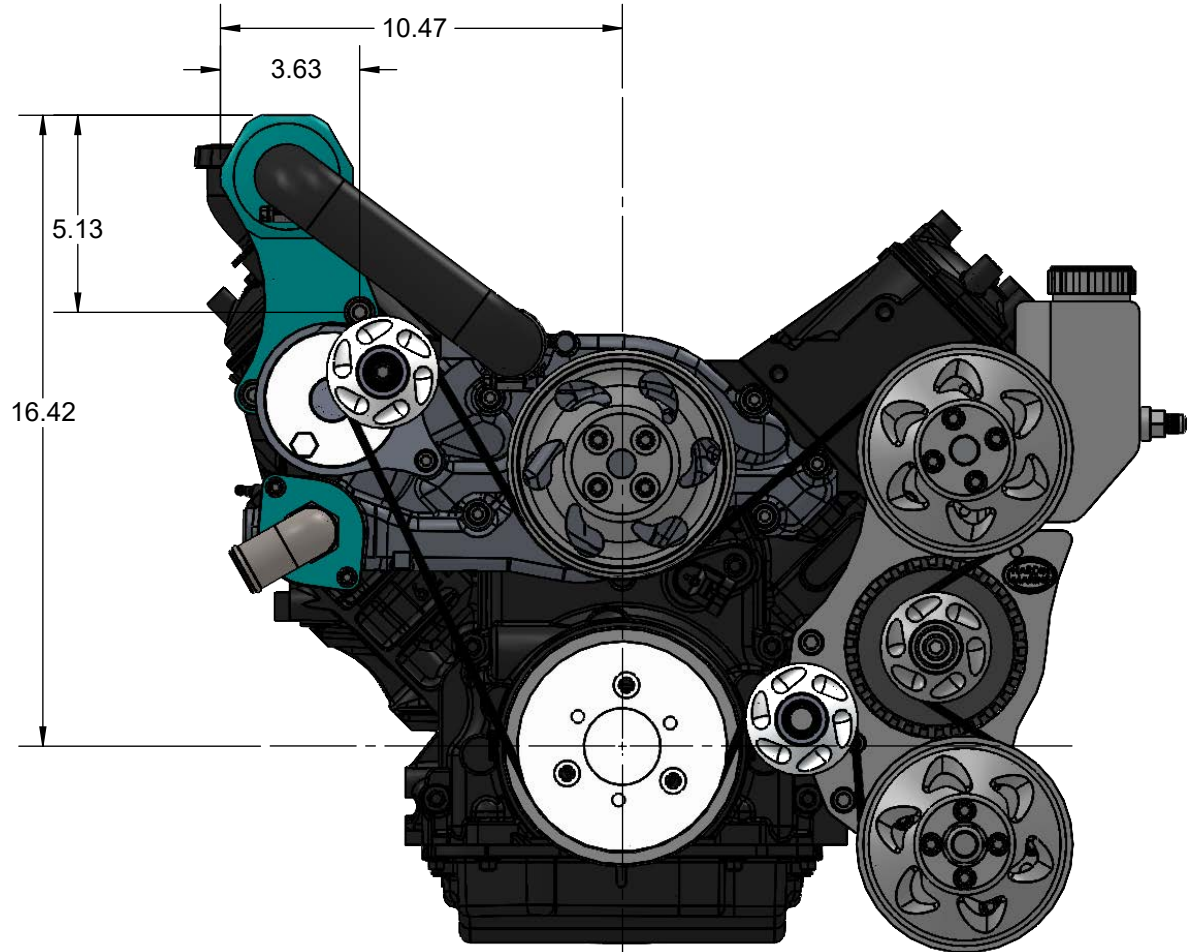
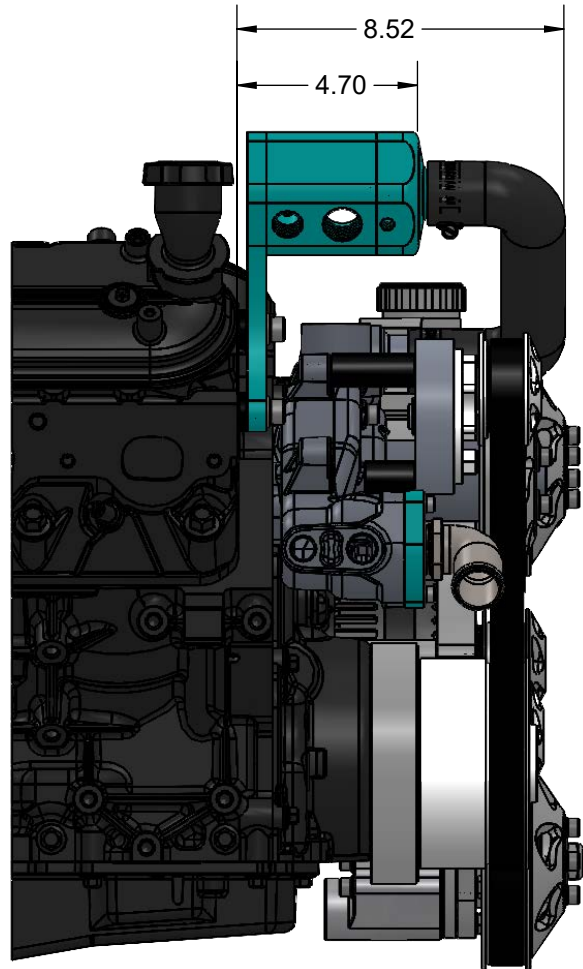
SHOWN INSTALLED WITH STOCK GM TENSIONER AND HARDIN MARINE SEA PUMP 625-4116. SEA PUMP AND STOCK TENSIONER IS NOT INCLUDED IN THE KIT.

HARDIN MARINE 11 Industry Dr. Palm Coast, FL 32137  
386-445-2500 / FAX 386-445-1122

PART NO.  
625-4530

TITLE:  
LS THERMOSTATIC COOLING  
HOUSING DIMENSIONS

[www.hardin-marine.com](http://www.hardin-marine.com)



SHOWN INSTALLED ON ENGINE WITH HARDIN  
MARINE SERPENTINE DRIVE KIT.

THIS DRAWING IS CONFIDENTIAL AND IS SUPPLIED ON EXPRESS CONDITION THAT IT SHALL NOT BE LENT, COPIED OR DISCLOSED TO ANY OTHER PERSON OR USED FOR ANY OTHER PURPOSE WITHOUT WRITTEN CONSENT OF HARDIN MARINE INC.. BREACH OF THIS CONTRACT WILL HOLD ..... AND IT'S PRINCIPALS LIABLE FOR LOSS AND DAMAGES.