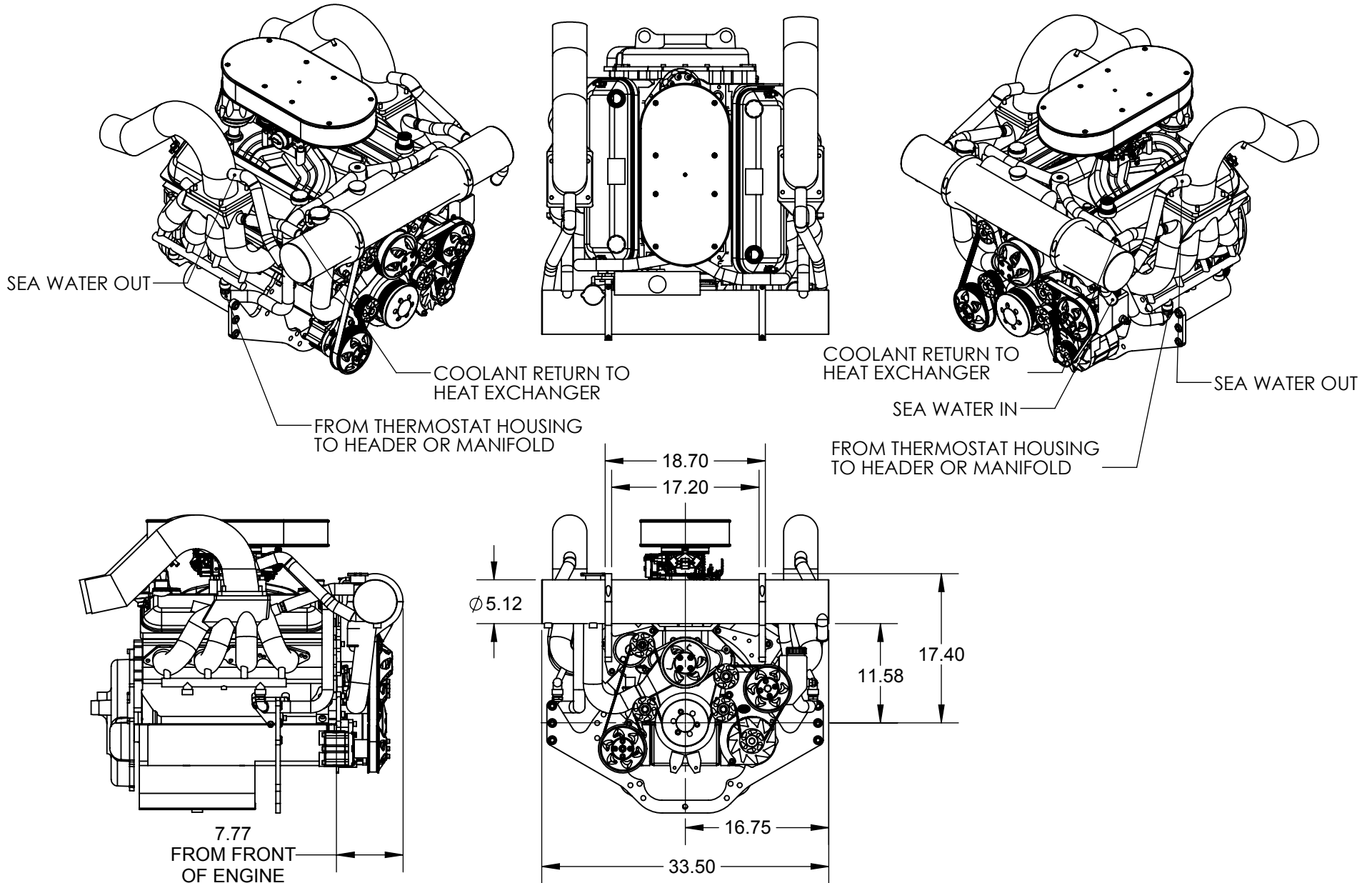


TITLE:
650HP FULL HEAT EXCHANGER



HARDIN
MARINE

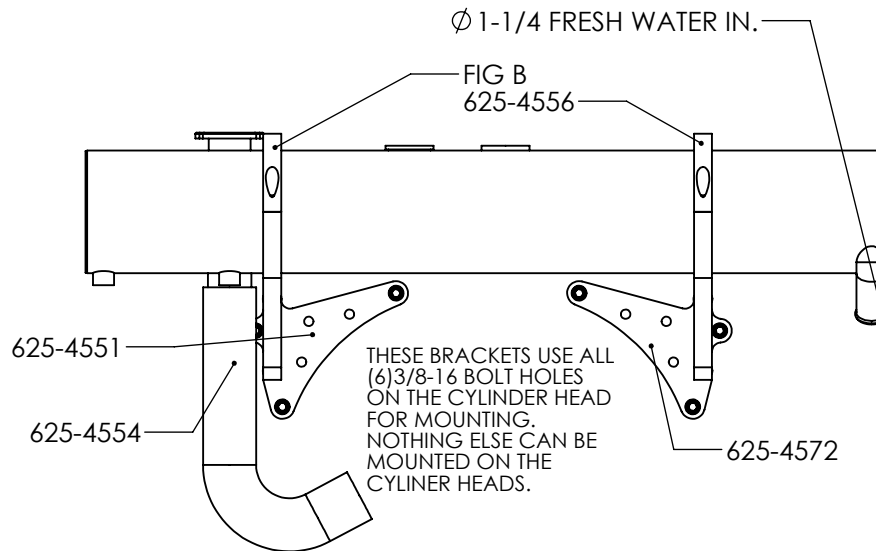
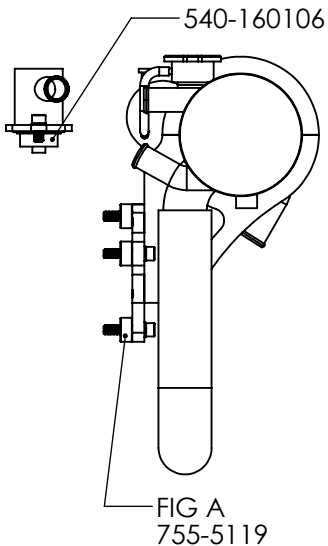
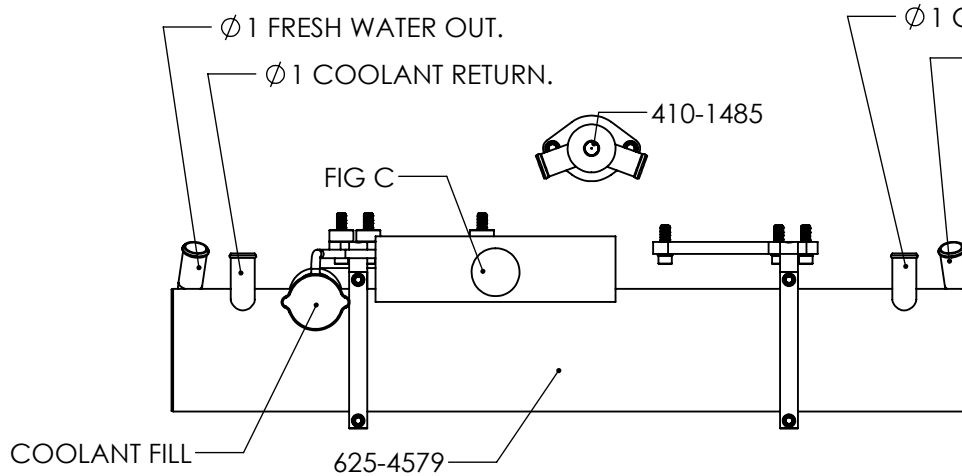
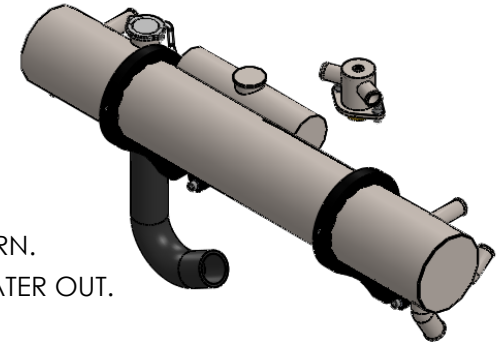
11 Industry Dr. Palm Coast, FL 32137
386-445-2500 / FAX 386-445-1122

PART NO.
625-4580 ASSY

TITLE:

650HP FULL HEAT EXCHANGER AND BRACKETS

www.hardin-marine.com



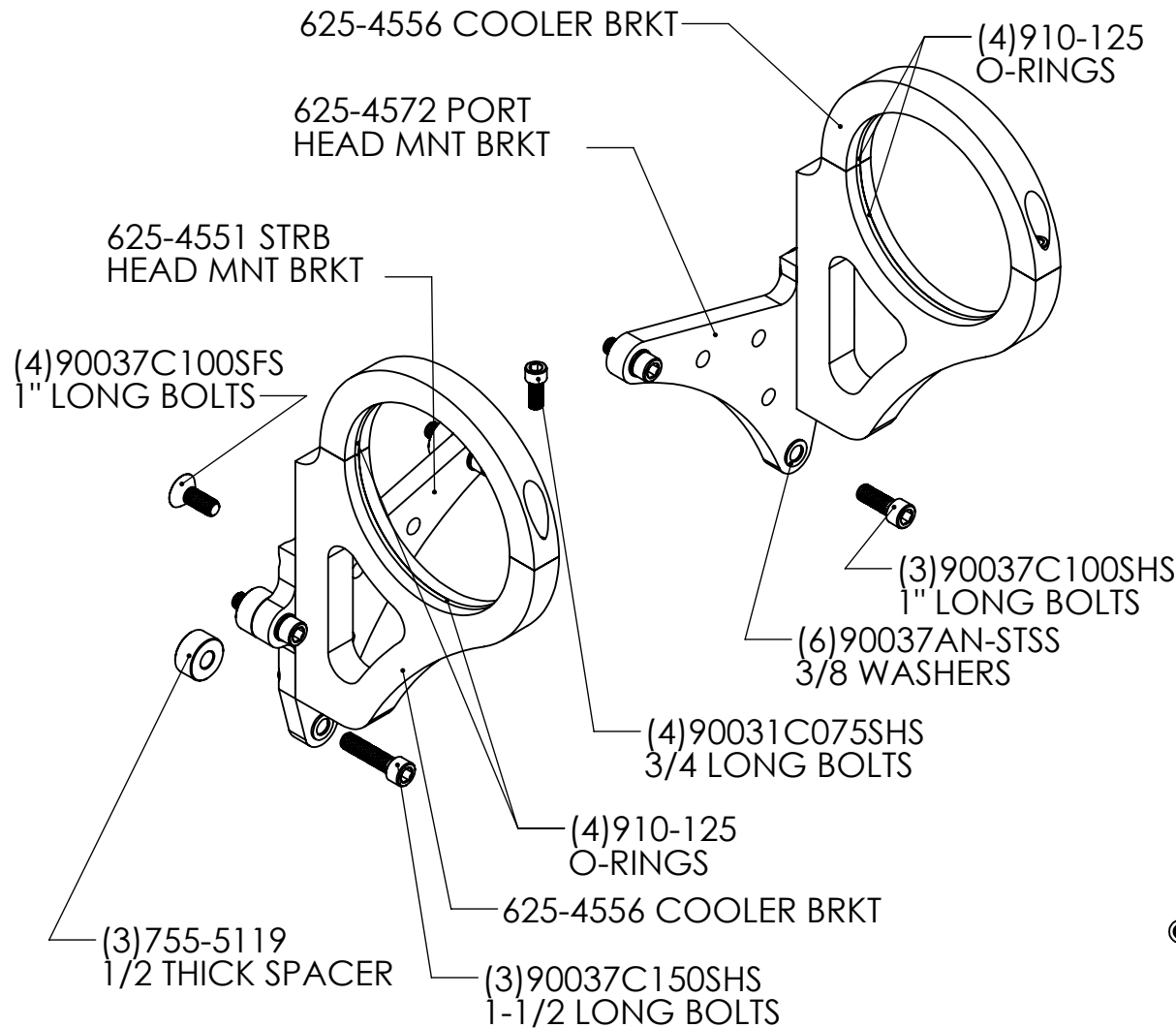
INSTALLATION INSTRUCTION:

- 1) MOUNT STARBOARD SIDE BRACKET TO CYLINDER HEAD. USE THE (3) 755-5119 SPACERS, SEE FIG. A., BETWEEN CYLINDER HEAD AND BRACKET. APPLY LOCTITE TO THE 3/8-16 x 1-3/4 LONG BOLTS. DO NOT TORQUE.
- 2) MOUNT PORT SIDE BRACKET TO CYLINDER HEAD. NO SPACERS ARE USED. APPLY LOCTITE TO THE 3/8-16x1-1/4 LONG BOLTS. DO NOT TORQUE.
- 3) SET 625-4579 HEAT EXCHANGER INTO THE BRACKETS.
- 4) CONNECT 625-4554 HOSE TO HEAT EXCHANGER AND CIRCULATING PUMP. USE 100-720-6328 HOSE CLAMP, NOT SHOWN.
- 5) PUT THE UPPER 625-4556 CLAMPS AROUND HEAT EXCHANGER, SEE FIG.B. APPLY LOCTITE TO THE BOLTS AND TORQUE TO 20 FT. LBS..
- 6) TORQUE THE CYLINDER HEAD BRACKET BOLTS TO 30 FT. LBS. TORQUE.
- 7) INSTALL 540-160106 142° THERMOSTAT INTO THE INTAKE MANIFOLD.
- 8) USE A GASKET SEALANT TO HOLD THERMOSTAT GASKET IN PLACE. INSTALL 410-1485 THERMOSTAT HOUSING. APPLY LOCTITE TO 3/8-16x3/4 LONG BOLTS AND TORQUE TO 30 FT. LBS..
- 9) USE THE SUPPLIED 100-100-1004 1" HOSE & 100-720-6316 HOSE CLAMPS TO ROUTE COOLANT LINES. SEE DRAWING 625-4580 FOR DETAILED WATER LINE ROUTES.
- 10) FILL HEAT EXCHANGER WITH 50/50 PROPYLENE GLYCOL ANTIFREEZE. RUN ENGINE TO BURP SYSTEM. KEEP OVER FLOW, FIG 3, HALF FILLED AT ALL TIMES.

HARDIN MARINE 11 Industry Dr. Palm Coast, FL 32137
386-445-2500 / FAX 386-445-1122

PART NO.
625-4544

TITLE:
HEAT EXCHANGER MOUNTING BRACKETS



MOUNTING INSTRUCTIONS:

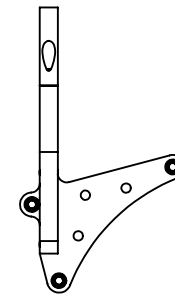
1) ATTACH 625-4556 OIL COOLER BRACKETS TO HEAD MOUNT BRACKETS. APPLY LOCTITE TO THE (4) 90037C100SFS BOLTS & INSERT THROUGH THE COUNTERSUNK SIDE OF THE BRACKET. TORQUE TO 30 FT. LBS..

2) THE PORT SIDE BRACKET ASSEMBLY MOUNTS DIRECTLY ON THE HEAD. APPLY LOCTITE TO THE (3) 90037C100SHS BOLTS WITH WASHERS, TORQUE TO 30 FT. LBS..

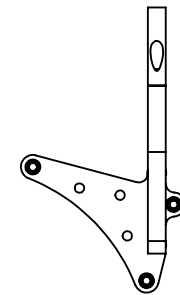
3) THE STARBOARD SIDE BRACKET IS SPACED OFF THE HEAD BY THE (3) 755-5119 SPACERS. APPLY LOCTITE TO THE (3) 90037C150SHS BOLTS WITH WASHERS, TORQUE TO 30 FT. LBS..

4) MAKE SURE THE 900-125 ORINGS ARE INSTALLED IN THE BRACKETS.

5) AFTER INSTALLING THE HEAT EXCHANGER, APPLY LOCTITE TO (4) 90031C075SHS BOLTS AND TORQUE TO 20 FT. LBS..



STARBOARD HEAD



PORT SIDE