

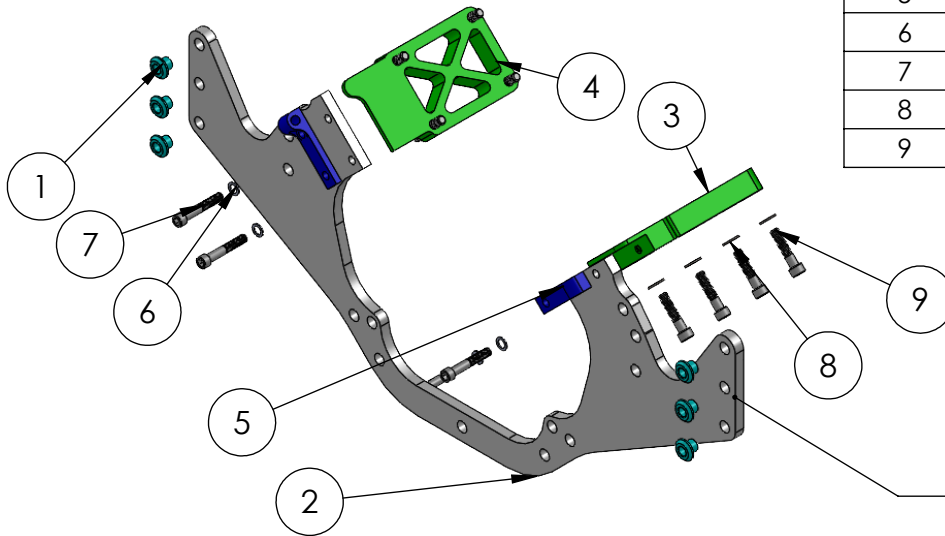
HARDIN MARINE 11 Industry Dr. Palm Coast, FL 32137
386-445-2500 / FAX 386-445-1122

PART NO.
625-8529

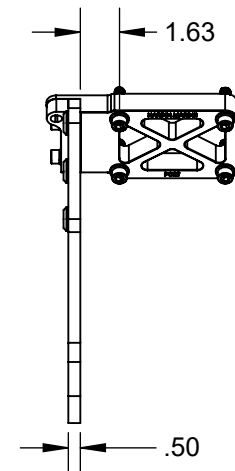
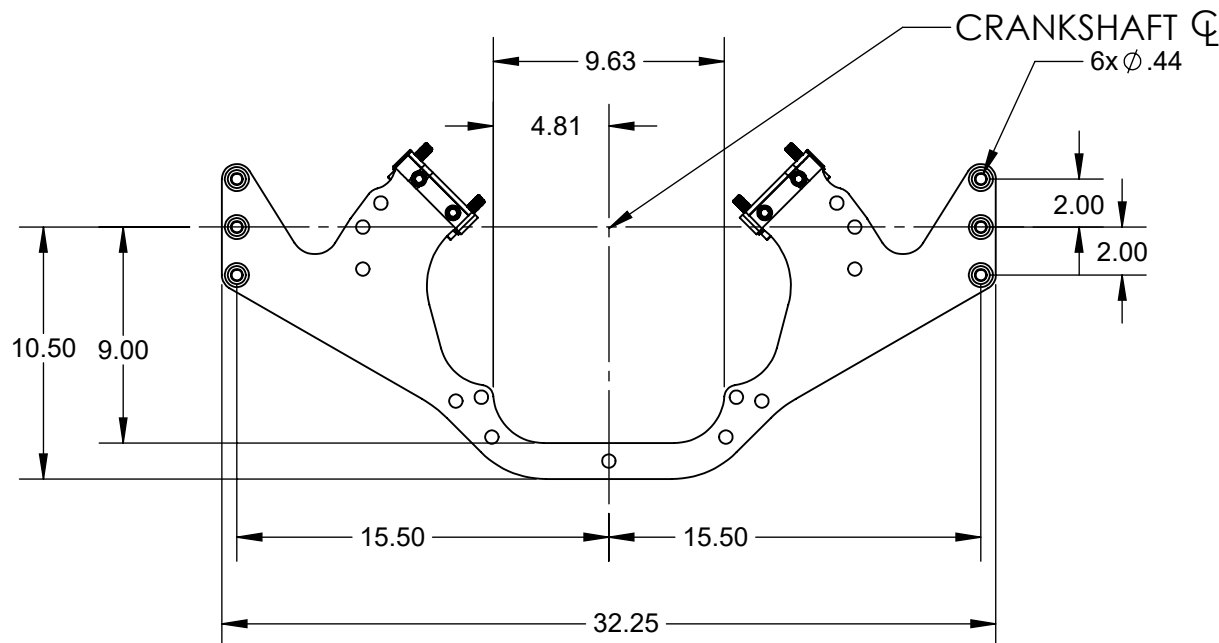
TITLE:

LS SINGLE FRONT MOUNT

ITEM NO.	PART NUMBER	DESCRIPTION	QTY.
1	625-4041	WASHER, HAT	6
2	625-8527	MOUNT, FRONT - SINGLE	1
3	625-8532	PAD, LS MOTOR MOUNT - PORT	1
4	625-8533	PAD, LS MOTOR MOUNT - STRB	1
5	625-8534	PAD, FRONT - LS ENGINE MOUNT	2
6	90037AN-STSS	WASHER, 3/8 AN	4
7	90037C225SHS	BOLT, SHCS, 3/8-16x2-1/4	4
8	900M10AN-STSS	WASHER, M10	8
9	900M10C045SHS	BOLT, SHCS, M10 x 45	8



ENGINE MOUNTS COME RAW ALUMINUM FINISH



THIS DRAWING IS CONFIDENTIAL AND IS SUPPLIED ON EXPRESS CONDITION THAT IT SHALL NOT BE LENT, COPIED OR DISCLOSED TO ANY OTHER PERSON OR USED FOR ANY OTHER PURPOSE WITHOUT WRITTEN CONSENT OF HARDIN MARINE INC.. BREACH OF THIS CONTRACT WILL HOLD AND IT'S PRINCIPALS LIABLE FOR LOSS AND DAMAGES.