

HARDIN
MARINE

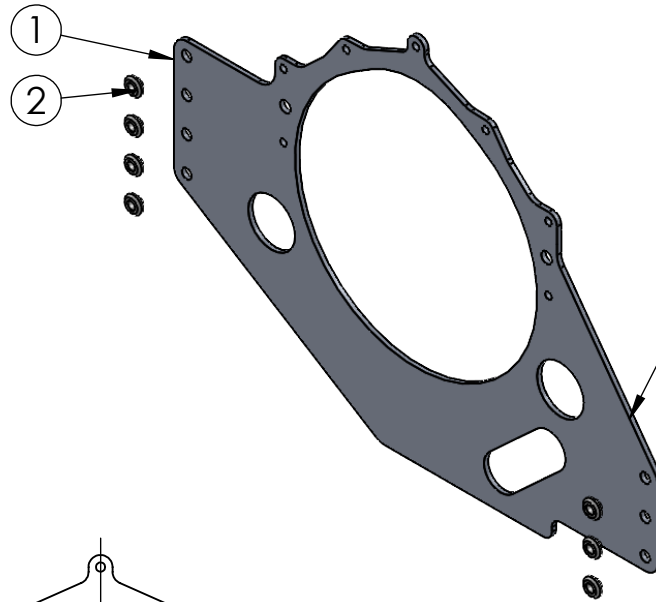
11 Industry Dr. Palm Coast, FL 32137
386-445-2500 / FAX 386-445-1122

PART NO.
625-8821

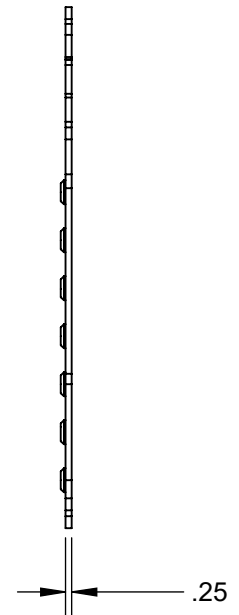
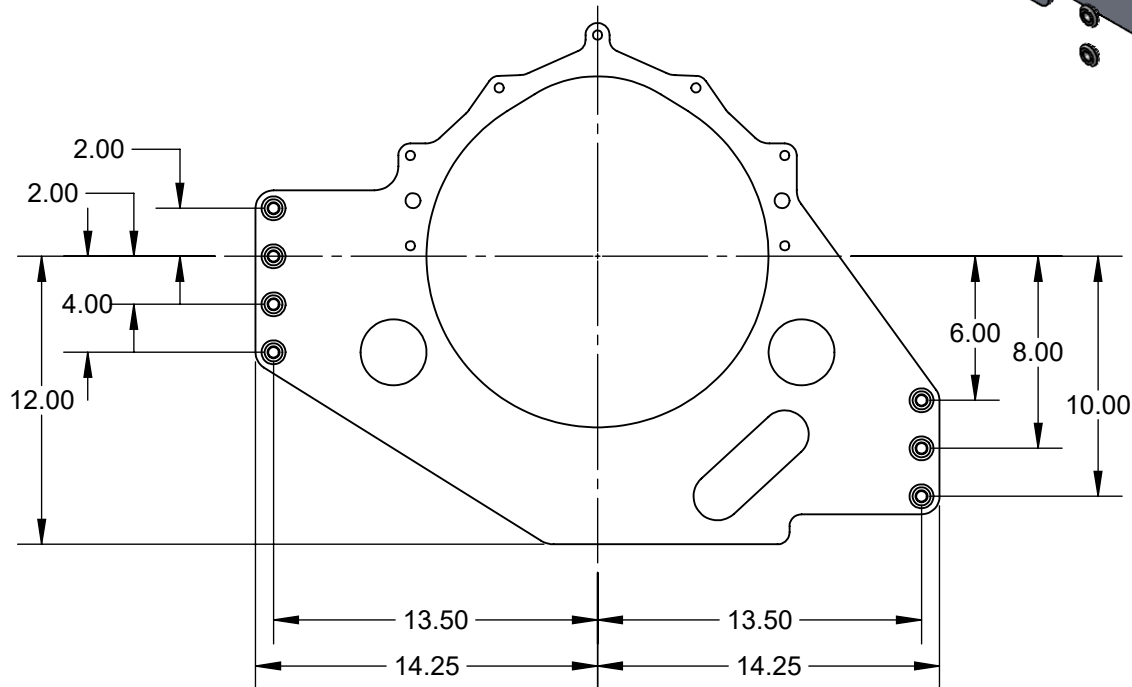
ITEM NO.	PART NUMBER	DESCRIPTION	QTY.
1	625-8807	MOUNT, REAR SIDE BY SIDE	1
2	625-8801	WASHER, HAT	7

TITLE:
BBC REAR SIDE BY SIDE ENGINE MOUNT

www.hardin-marine.com



ENGINE MOUNTS COME IN RAW ALUMINUM FINISH



THIS DRAWING IS CONFIDENTIAL AND IS SUPPLIED ON EXPRESS CONDITION THAT IT SHALL NOT BE LENT, COPIED OR DISCLOSED TO ANY OTHER PERSON OR USED FOR ANY OTHER PURPOSE WITHOUT WRITTEN CONSENT OF HARDIN MARINE INC.. BREACH OF THIS CONTRACT WILL HOLD AND IT'S PRINCIPALS LIABLE FOR LOSS AND DAMAGES.