

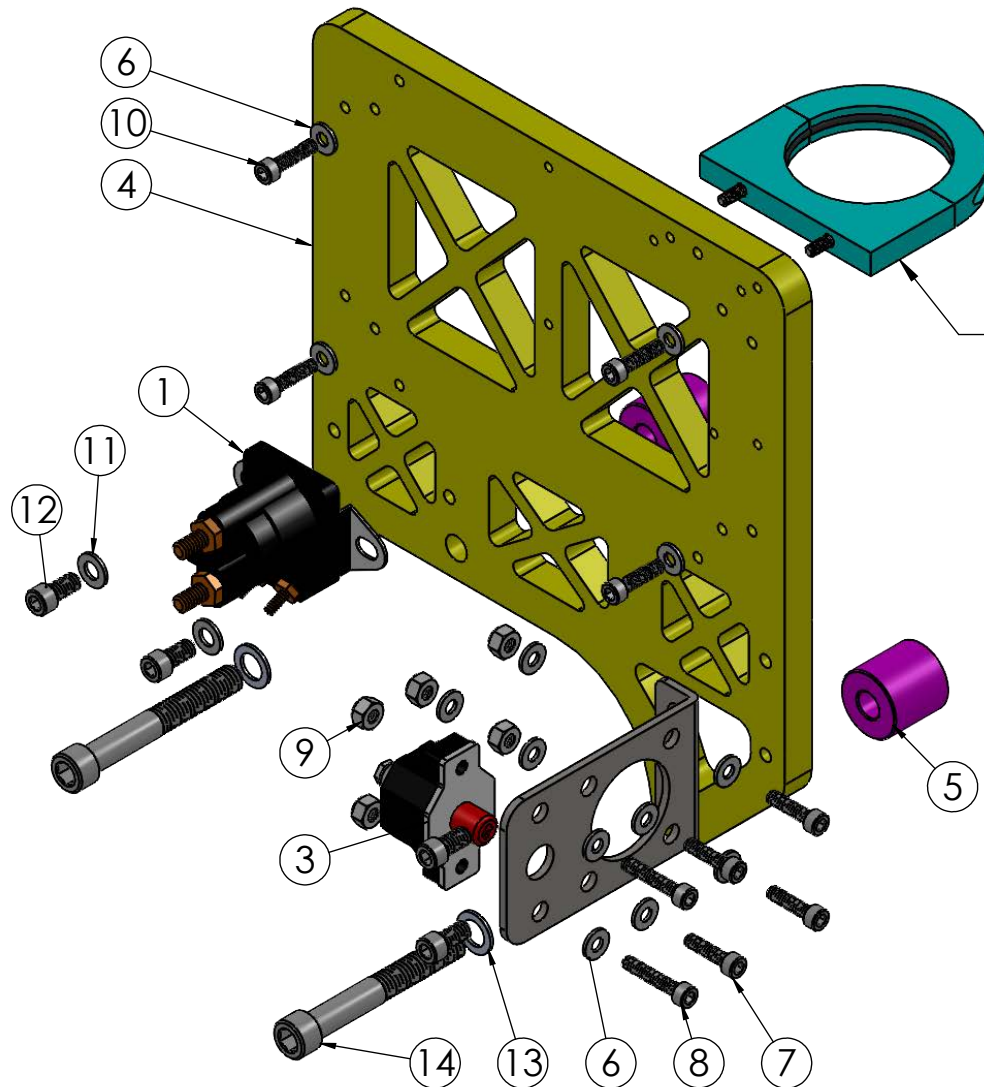
HARDIN
MARINE

11 Industry Dr. Palm Coast, FL 32137
386-445-2500 / FAX 386-445-1122

PART NO.
755-3561

TITLE:
DUAL COOLER BELLHOUSING IGNITION BRACKET

www.hardin-marine.com



ITEM NO.	PART NUMBER	DESCRIPTION	QTY.
1	137-8081	RELAY, VERTICAL POSTIVE	1
2	755-3507	BRACKET, CANNON PLUG	1
3	755-3514	BREAKER, 50 AMP	1
4	755-3542	BKRT, TRANS IGNITION	1
5	755-5119	SPACER, 1.00x.87x.391	2
6	90010AN-STSS	WASHER, #10 AN	14
7	90010C075SHS	BOLT, 10-24 x .75	4
8	90010C100SHS	BOLT, 10-24 x 1.00	2
9	90010CN-FNSS	NUT, 10-24	6
10	90010F075SHS	BOLT, 10-32 x .75	4
11	90025AN-STSS	WASHER, 1/4 AN	2
12	90025C050SHS	BOLT, 1/4-20 x .50	4
13	90037AN-STSS	WASHER, 3/8 AN	2
14	90037C275SHS	BOLT, SHCS, 3/8-16x2.75	2
15	755-3533	COIL BRACKET	1

— SHOWN WITH OPTIONAL #15 755-3533
COIL BRACKET, SOLD SEPERATELY.

NOTES:

- 1) CAN MOUNT MSD 6M-2L, MSD 6M-3L AND DAYTONA SENSOR.
- 2) CAN BE USED WITH 120-8823 VIBRATION MOUNTS.
- 3) OPTIONAL 755-3533 BRACKETS CAN BE USED WITH ϕ 2.12 COILS.
- 4) 120-8222 COIL CAN BE MOUNTING IN THE SAME SPOT AS THE ROUND COIL.
- 5) INCLUDES STARTER SOLENOID AND 50 AMP BREAKER.
- 6) WORKS WITH MERCURY CANNON PLUG.

THIS DRAWING IS CONFIDENTIAL AND IS SUPPLIED ON EXPRESS CONDITION THAT IT SHALL NOT BE LENT, COPIED OR DISCLOSED TO ANY OTHER PERSON OR USED FOR ANY OTHER PURPOSE WITHOUT WRITTEN CONSENT OF HARDIN MARINE INC.. BREACH OF THIS CONTRACT WILL HOLD AND IT'S PRINCIPALS LIABLE FOR LOSS AND DAMAGES.

HARDIN
MARINE

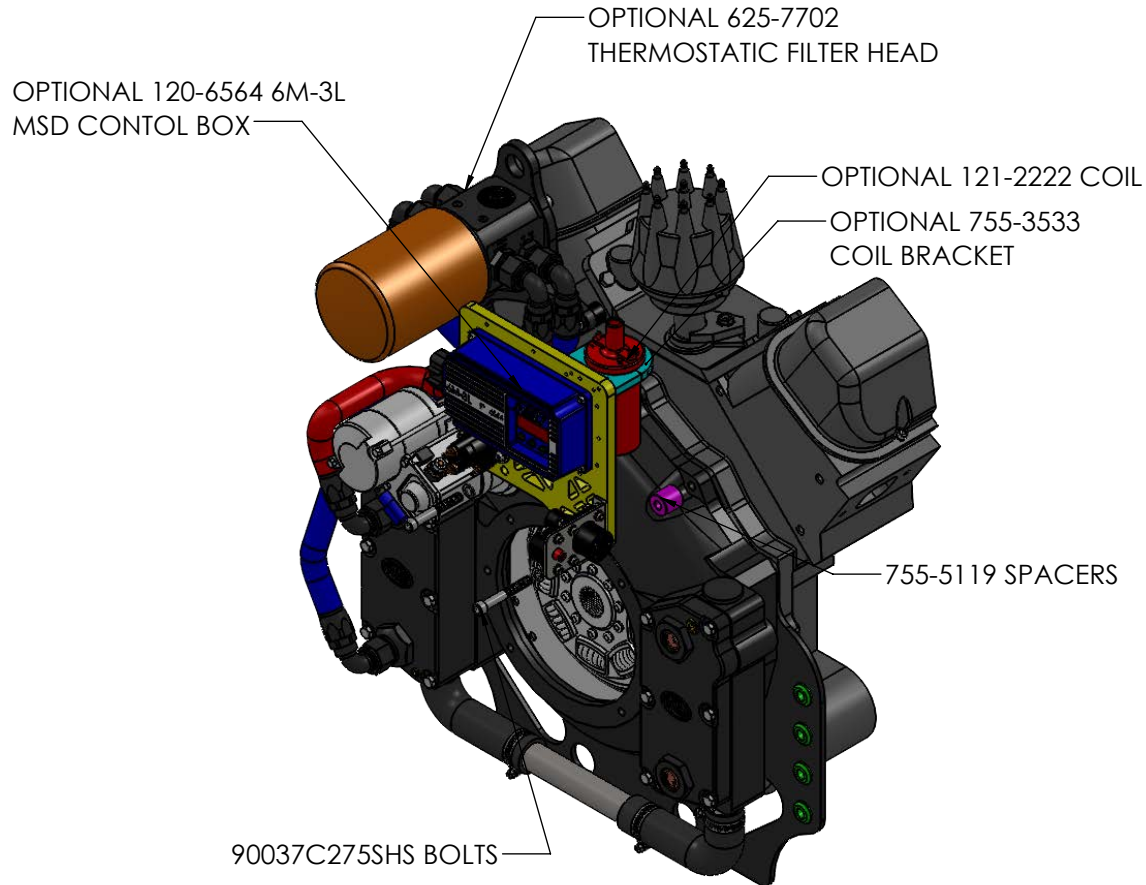
11 Industry Dr. Palm Coast, FL 32137
386-445-2500 / FAX 386-445-1122

PART NO.
755-3561

TITLE:

DUAL COOLER BELLHOUSING IGNITION BRACKET

www.hardin-marine.com



INSTALLATION INSTRUCTION:

- 1) 755-5119 SPACERS ARE INSTALLED BETWEEN BELLHOUSING AND BRACKET.
- 2) INSTALL 3/8 BOLTS AND WASJERS. USING 5/16 HEX SOCKET TORGUE TO 30 FT. LBS..

