

Single Circuit Battery Switch

ON/OFF 300A DC

Caution

- ▶ Disconnect positive battery terminal before installing.
- ▶ Consult marine electrical professional for proper wiring application.

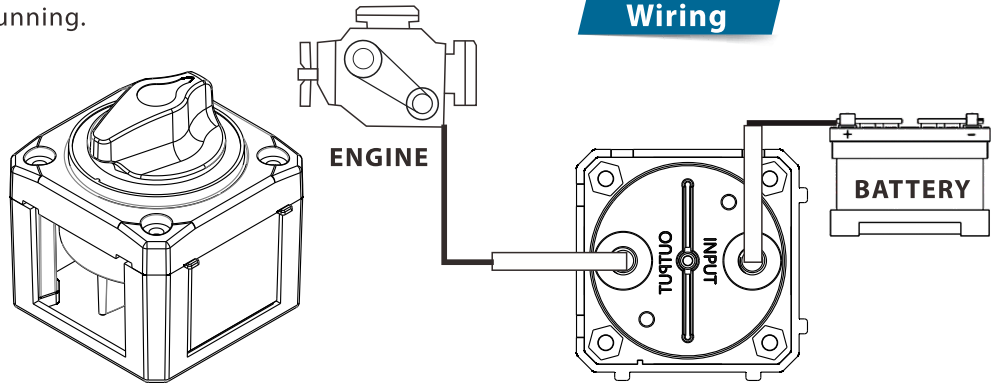
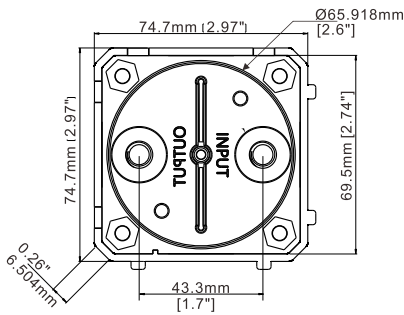
Installation

- ▶ Refer to the latest edition of NFPA 302 and/or ABYC E11 Standard for installation information.
- ▶ Attach one 4/0 AWG cable per terminal to meet ratings.
- ▶ Battery cable terminals must be attached under nut and lock washer. Torque 120 in-lb (13.56 N•m).

Operation

- ▶ Turn all appliances off before turning the battery switch to OFF.
- ▶ Do not switch to OFF while engine is running.

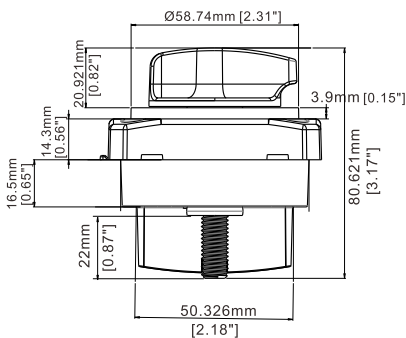
Dimension



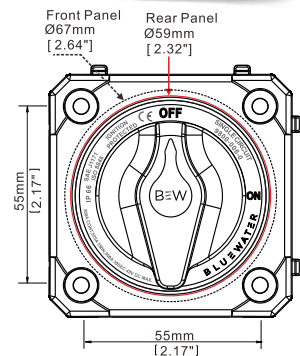
Wiring

Parts # 9801-000-X

- ▶ Color: 9801-000-0 (Black) Base Only
- ▶ Color: 9801-000-1 (Red) Base Only

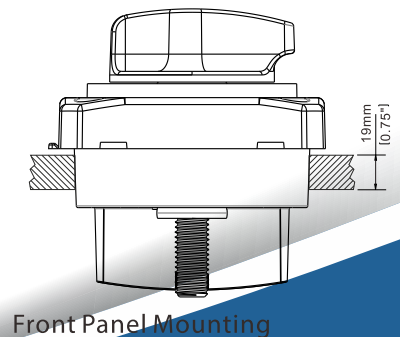
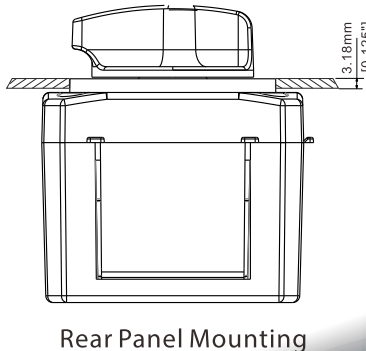
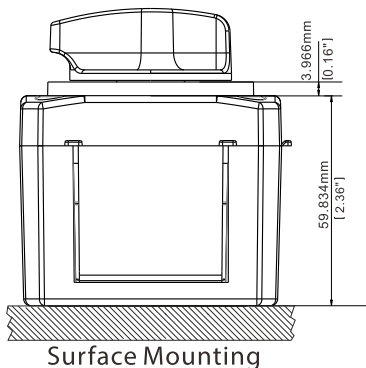


Mounting Holes



Mounting

PATENT PENDING



Selector Battery Switch

2 Bank 300A DC

Caution

- ▶ Disconnect positive battery terminal before installing.
- ▶ Consult marine electrical professional for proper wiring application.

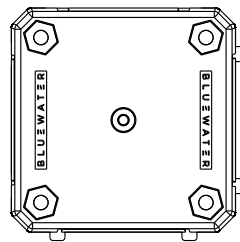
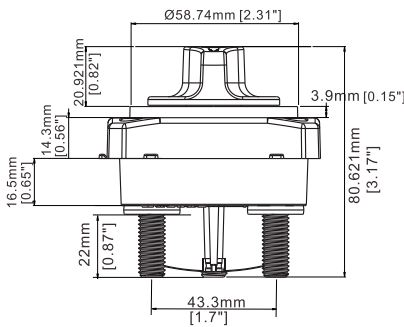
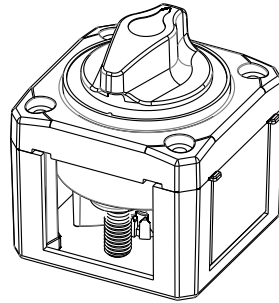
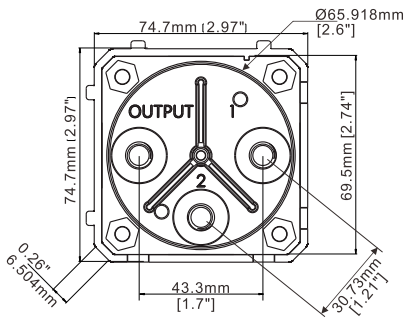
Installation

- ▶ Refer to the latest edition of NFPA 302 and/or ABYC E11 Standard for installation information.
- ▶ Attach one 4/0 AWG cable per terminal to meet ratings.
- ▶ Battery cable terminals must be attached under nut and lock washer. Torque 120 in-lb (13.56 N•m).

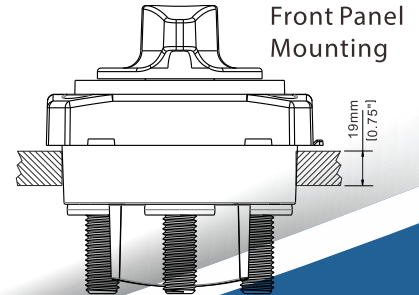
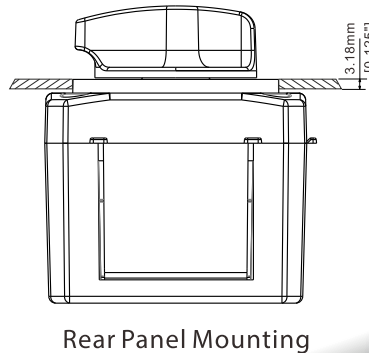
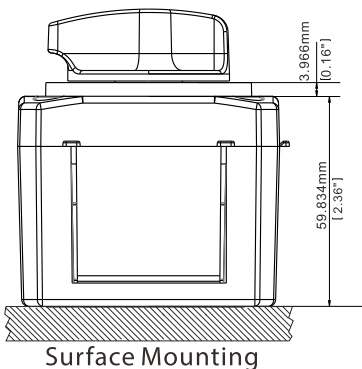
Operation

- ▶ Turn all appliances off before turning the battery switch to OFF.
- ▶ Do not switch to OFF while engine is running.

Dimension



Mounting

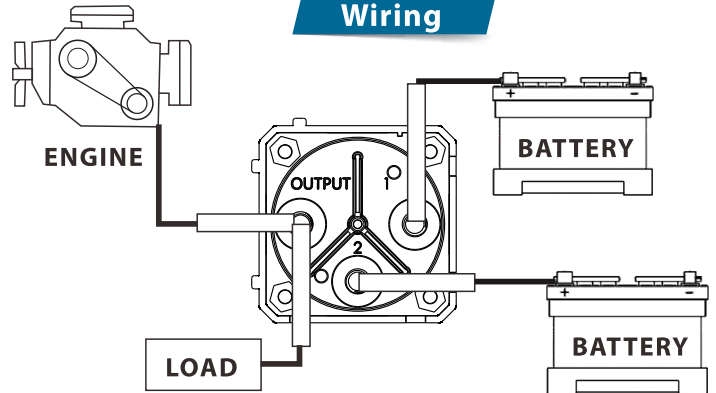


Parts # 9800-007-X

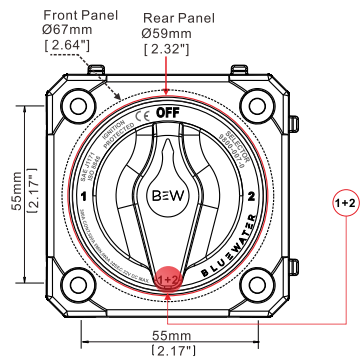
- ▶ Color: 9800-007-0 (Black), 9800-007-1 (Red)

Continuous Rating	300 Amps DC
Intermittent Rating	500 Amps DC 5 min.
Cranking Rating	900 Amps DC 30 sec.
Maximum Voltage	48 Volts DC
Switch Operating	-22°F to 284°F
Mounting	Surface / Front , Rear Panel
Cable Size	4/0 AWG (120 mm ²)
Standard	meet S.A.E. J1625, J1171, ABYC E-11 UL1500 (Ignition protection)
Stud size	2pcs 3/8"-16
Torque rating	120in-lb (13.56Nm) max.
Studs and Nuts	Copper with Tin plated

Wiring



Mounting Holes



Selector Battery Switch

Single Load / 2 Bank 300ADC

Caution

- ▶ Disconnect positive battery terminal before installing.
- ▶ Consult marine electrical professional for proper wiring application.

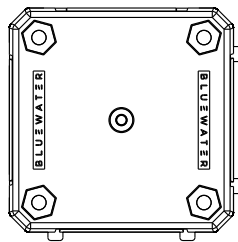
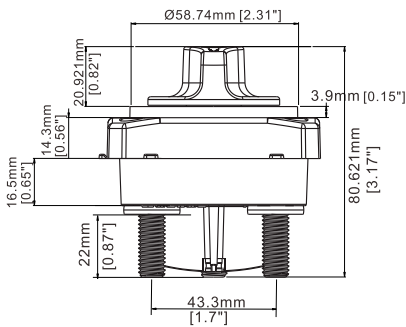
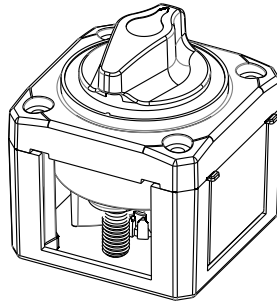
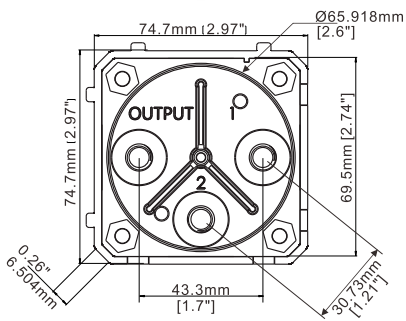
Installation

- ▶ Refer to the latest edition of NFPA 302 and/or ABYC E11 Standard for installation information.
- ▶ Attach one 4/0 AWG cable per terminal to meet ratings.
- ▶ Battery cable terminals must be attached under nut and lock washer. Torque 120 in-lb (13.56 N•m).

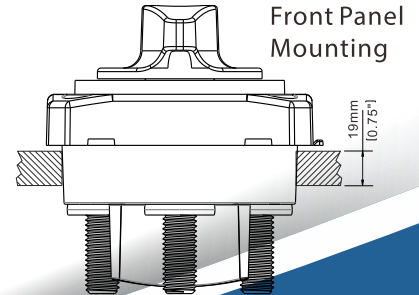
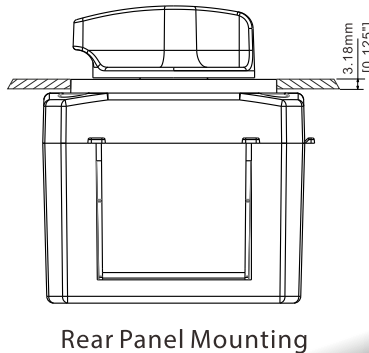
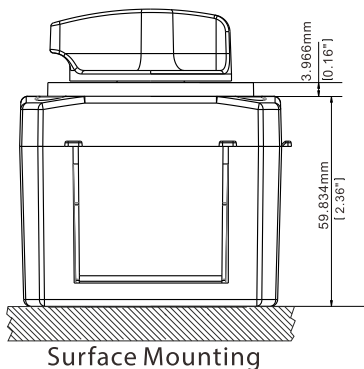
Operation

- ▶ Turn all appliances off before turning the battery switch to OFF.
- ▶ Do not switch to OFF while engine is running.

Dimension



Mounting

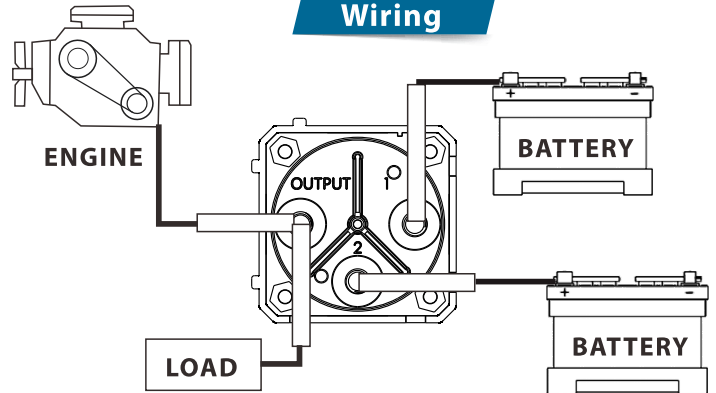


Parts # 9800-008-X

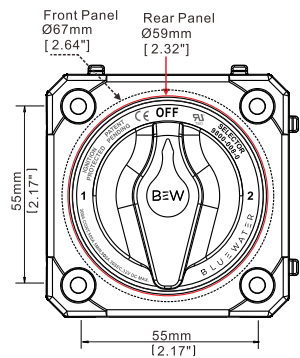
- ▶ Color: 9800-008-0 (Black), 9800-008-1 (Red)

Continuous Rating	300 Amps DC
Intermittent Rating	500 Amps DC 5 min.
Cranking Rating	900 Amps DC 30 sec.
Maximum Voltage	48 Volts DC
Switch Operating	-22°F to 284°F
Mounting	Surface / Front , Rear Panel
Cable Size	4/0 AWG (120 mm ²)
Standard	meet S.A.E. J1625, J1171, ABYC E-11 UL1500 (Ignition protection)
Stud size	2pcs 3/8"-16
Torque rating	120in-lb (13.56Nm) max.
Studs and Nuts	Copper with Tin plated

Wiring



Mounting Holes



Two Circuit Battery Switch

Two Circuit 300A DC

Caution

- ▶ Disconnect positive battery terminal before installing.
- ▶ Consult marine electrical professional for proper wiring application.

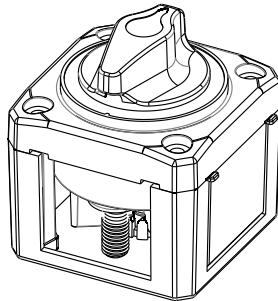
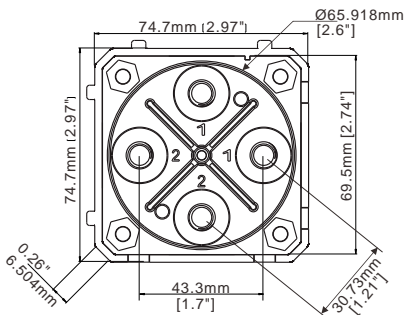
Installation

- ▶ Refer to the latest edition of NFPA 302 and/or ABYC E11 Standard for installation information.
- ▶ Attach one 4/0AWG cable per terminal to meet ratings.
- ▶ Battery cable terminals must be attached under nut and lock washer. Torque 120in-lb (13.56N•m).

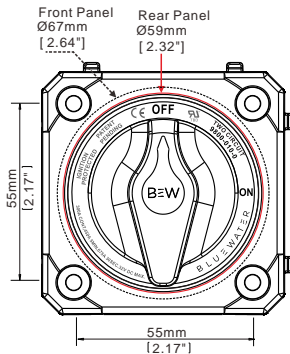
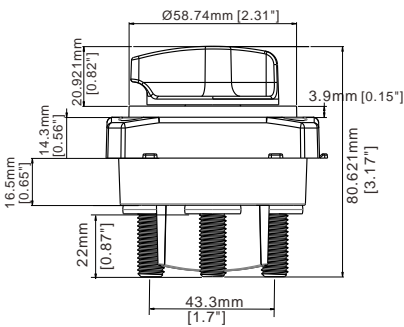
Operation

- ▶ Turn all appliances OFF before turning the battery switch to OFF.
- ▶ Do not switch to OFF while engine is running.

Dimension



Mounting Holes

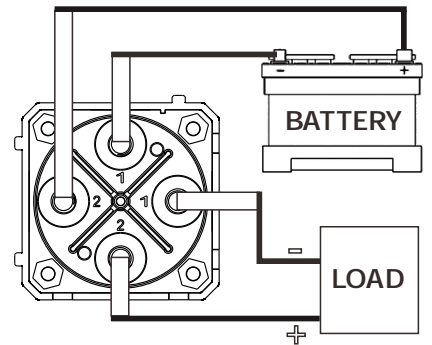
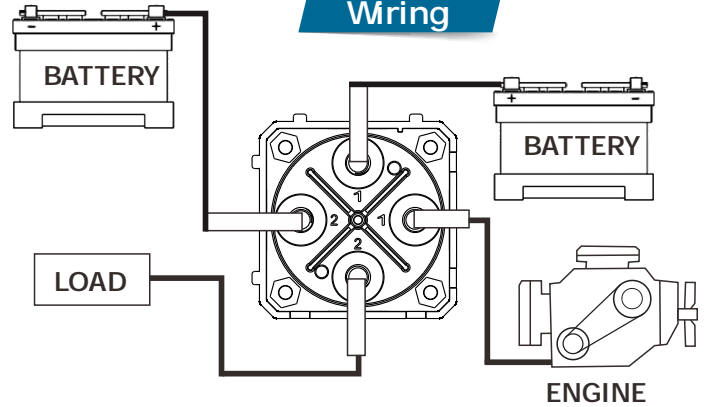


Parts# 9800-010-X

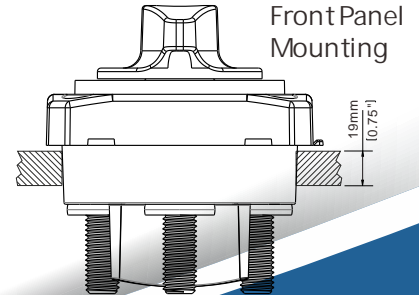
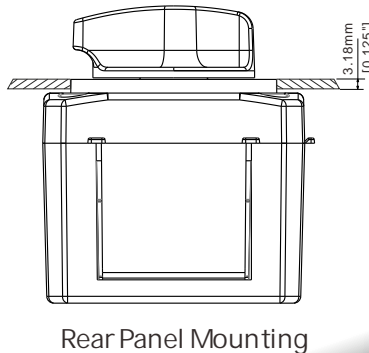
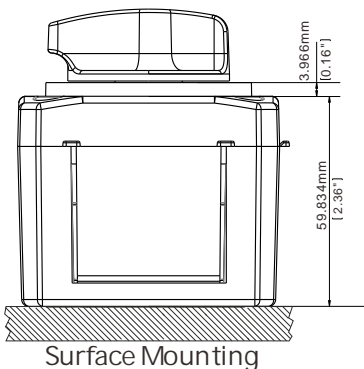
- ▶ Color: 9800-010-0 (Black), 9800-010-1 (Red)

Continuous Rating	300Amps DC
Intermittent Rating	500Amps DC 5min.
Cranking Rating	900Amps DC 30sec.
Maximum Voltage	48Volts DC
Switch Operating	-22°F to 284°F
Mounting	Surface / Front, Rear Panel
Cable Size	4/0AWG (120mm ²)
Standard	meet S.A.E. J1625, J1171, ABYC E-11 UL1500 (Ignition protection)
Stud size	2pcs 3/8" -16
Torque rating	120in-lb (13.56Nm) max.
Studs and Nuts	Copper with Tin plated

Wiring



Mounting



Two Circuit Plus Battery Switch

Two Circuit Plus 300A DC

Caution

- ▶ Disconnect positive battery terminal before installing.
- ▶ Consult marine electrical professional for proper wiring application.

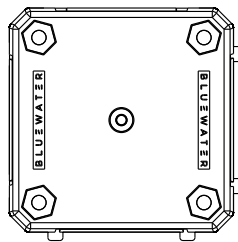
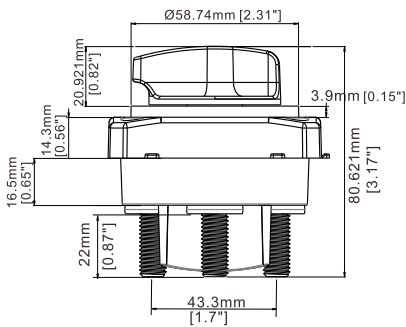
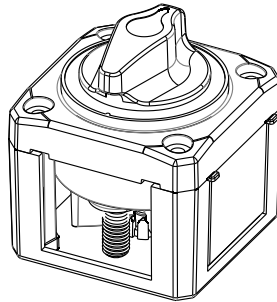
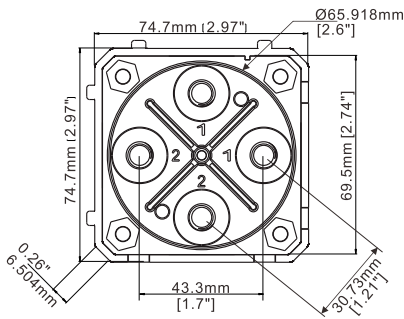
Installation

- ▶ Refer to the latest edition of NFPA 302 and/or ABYC E11 Standard for installation information.
- ▶ Attach one 4/0 AWG cable per terminal to meet ratings.
- ▶ Battery cable terminals must be attached under nut and lock washer. Torque 120 in-lb (13.56 N•m).

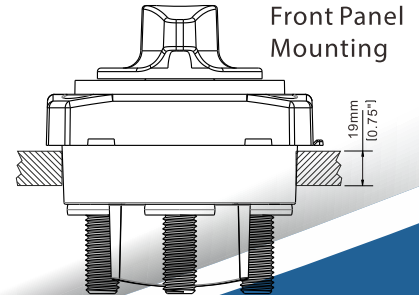
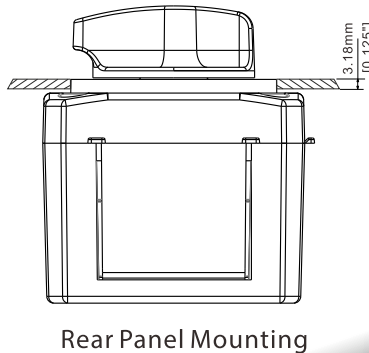
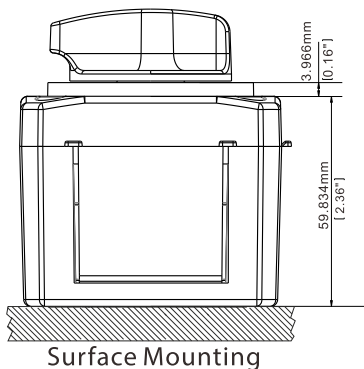
Operation

- ▶ Turn all appliances off before turning the battery switch to OFF.
- ▶ Do not switch to OFF while engine is running.

Dimension



Mounting

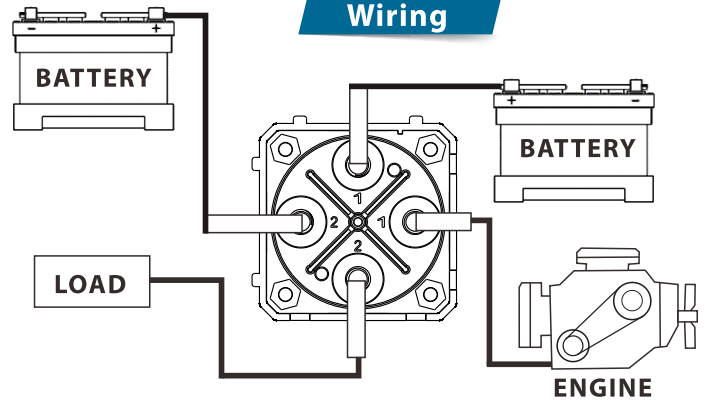


Parts # 9800-011-X

- ▶ Color: 9800-011-0 (Black), 9800-011-1 (Red)

Continuous Rating	300 Amps DC
Intermittent Rating	500 Amps DC 5 min.
Cranking Rating	900 Amps DC 30 sec.
Maximum Voltage	48 Volts DC
Switch Operating	-22°F to 284°F
Mounting	Surface / Front , Rear Panel
Cable Size	4/0 AWG (120 mm ²)
Standard	meet S.A.E. J1625, J1171, ABYC E-11 UL1500 (Ignition protection)
Stud size	2pcs 3/8"-16
Torque rating	120in-lb (13.56Nm) max.
Studs and Nuts	Copper with Tin plated

Wiring



Mounting Holes

