

HARDIN
MARINE

11 Industry Dr. Palm Coast, FL 32137
386-445-2500 / FAX 386-445-1122

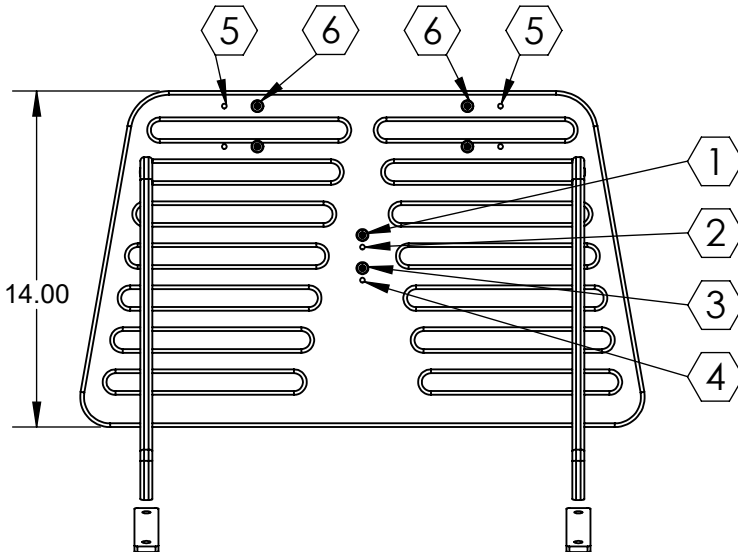
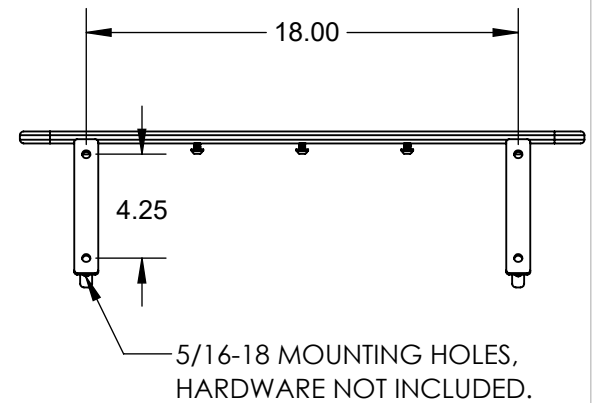
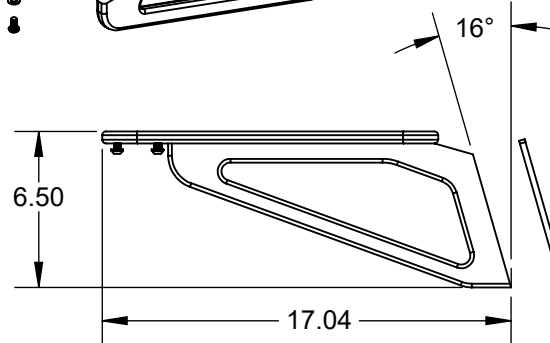
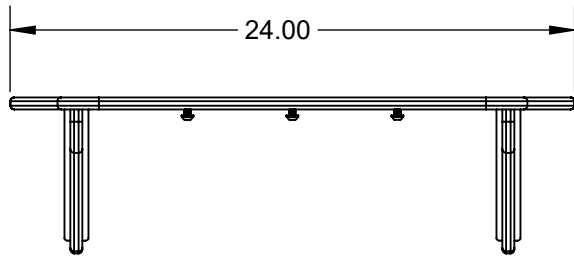
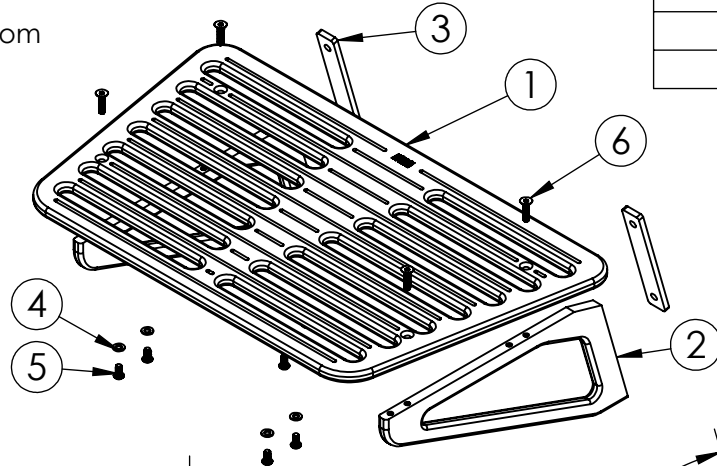
PART NO.
131-142416

TITLE:

24x14 SWIM STEP w/ 16° BRACKETS

www.hardin-marine.com

ITEM NO.	PART NUMBER	DESCRIPTION	QTY.
1	131-1001	STEP, 24x16	1
2	131-1002	BRACE, 16 DEGREE	2
3	131-1003	PLATE, BACKING	2
4	90025AN-STSS	WASHER, 1/4 AN	6
5	90025C050BHS	BOLT, 1/4-20x.50	6
6	90025C100SFS	BOLT, 1/4-20x1.00	4



FITS LADDERS: 405-1008, 405-1017, 405-1011 AND 405-1020

HOLES 1 AND 3 ARE FOR THE 21" DROP LADDERS
HOLES 2 AND 4 ARE FOR THE 18" DROP LADDERS
HOLES 5 ARE FOR THE 14.5" WIDE LADDERS
HOLES 6 ARE FOR THE 11.5" WIDE LADDERS

THIS DRAWING IS CONFIDENTIAL AND IS SUPPLIED ON EXPRESS CONDITION THAT IT SHALL NOT BE LENT, COPIED OR DISCLOSED TO ANY OTHER PERSON OR USED FOR ANY OTHER PURPOSE WITHOUT WRITTEN CONSENT OF HARDIN MARINE INC.. BREACH OF THIS CONTRACT WILL HOLD AND IT'S PRINCIPALS LIABLE FOR LOSS AND DAMAGES.