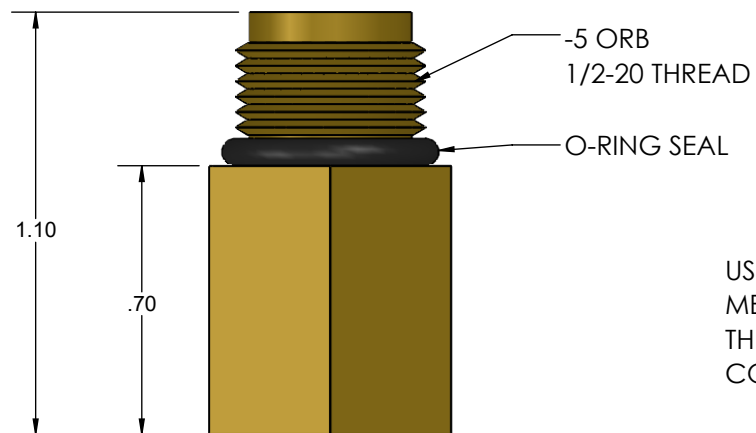


MAYFAIR PERFORMANCE

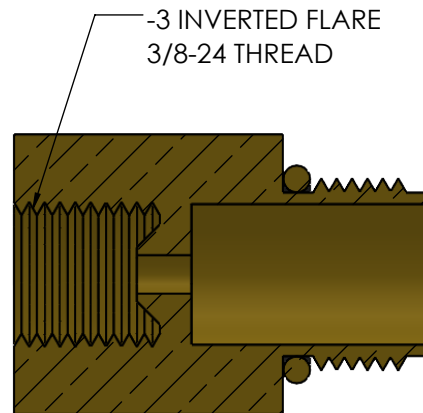
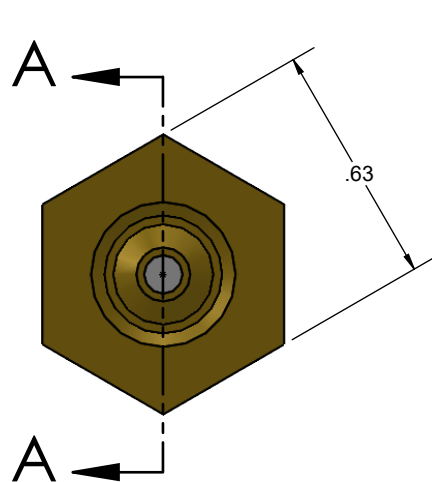
PART NO.  
137-8078

TITLE:  
FITTING, -5 MALE ORB TO -3 INVERTED FLARE

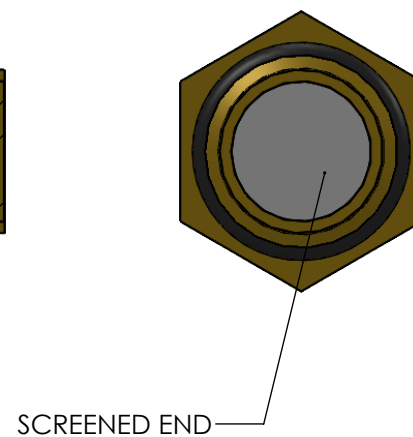
www.mayfairperformance.com



USED IN LATE MODEL MAYFAIR AND MERCURY TRIM PUMPS. ALWAYS MEASURE THE THREADS TO MAKE SURE IT IS THE CORRECT FITTING.



SECTION A-A



THIS DRAWING IS CONFIDENTIAL AND IS SUPPLIED ON EXPRESS CONDITION THAT IT SHALL NOT BE LENT, COPIED OR DISCLOSED TO ANY OTHER PERSON OR USED FOR ANY OTHER PURPOSE WITHOUT WRITTEN CONSENT OF HARDIN MARINE INC.. BREACH OF THIS CONTRACT WILL HOLD ..... AND IT'S PRINCIPALS LIABLE FOR LOSS AND DAMAGES.