

HARDIN
MARINE

11 Industry Dr. Palm Coast, FL 32137
386-445-2500 / FAX 386-445-1122

PART NO.

137-8414

TITLE:

TRIM SENDER - GEN 2

www.hardin-marine.com

DASH PANEL TO SENDER WIRE COLOR CODE:

- 1) BLACK - GROUND
- 2) RED - 12V/ 5AMP FUSED KEYED POWER
- 3) YELLOW - DASH LIGHTS
- 4) BLUE - PORT SENDER BLACK & YELLOW (GROUND)
- 5) WHITE - PORT SENDER WHITE (SEND)
- 6) GREY - PORT SENDER RED (POWER)
- 7) BLUE - STBD SENDER BLACK & YELLOW (GROUND)
- 8) WHITE - STBD SENDER WHITE (SEND)
- 9) GREY - STBD SENDER RED (POWER)

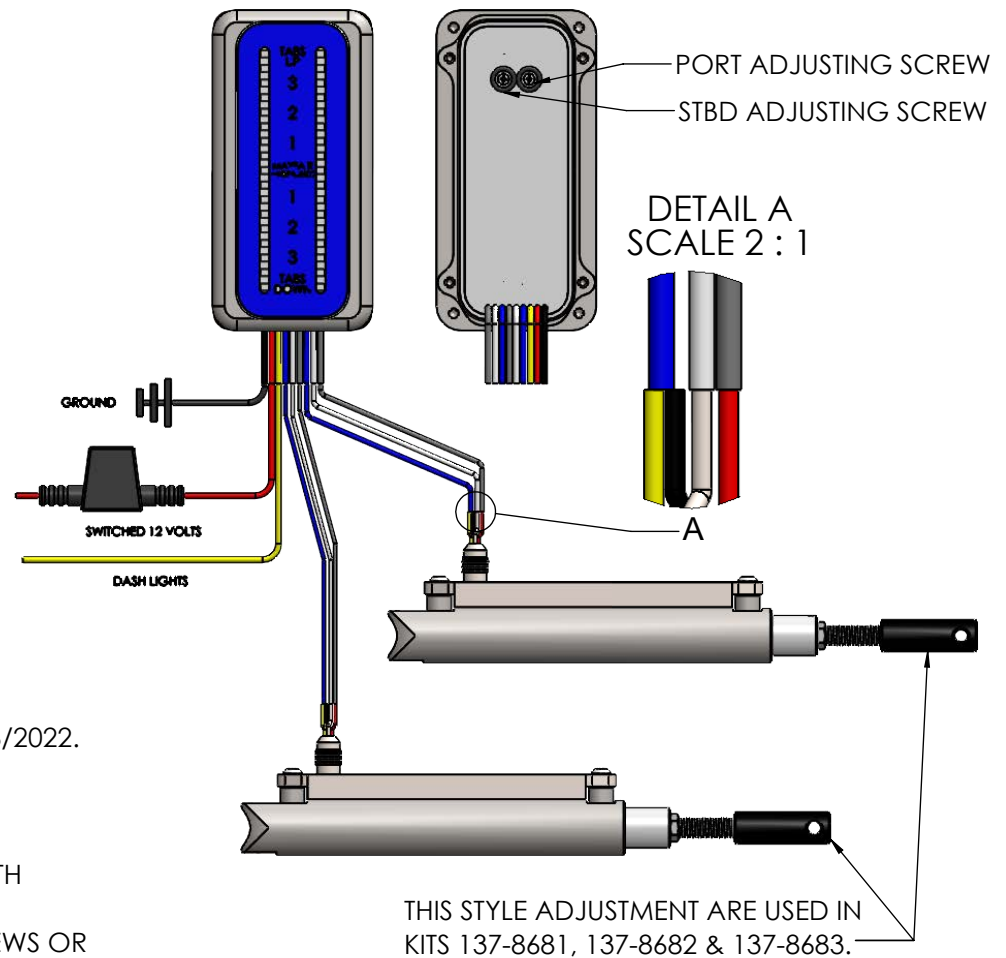
OPTIONAL 137-8684 HARNESS KIT COMES WITH:

- (2) 30' SENDER HARNESS (GREY, BLUE AND WHITE)
- (1) 30' RED WIRE
- (1) 5AMP FUSE AND HOLDER
- (20) BUTT CONNECTORS

USED IN 137-8681, 137-8682, 137-8683, 137-8688 & 137-8737 KITS 06/2022.

ADJUSTING THE LED LIGHT RANGE:

- 1) MOVE TO DRIVE/TAB ALL THE WAY DOWN.
- 2) BOTH SENDERS MUST BE WIRED AND THE BOTTOM LIGHT ON BOTH SIDES MUST BE LIT.
- 3) DEPENDING ON THE KIT, YOU WILL EITHER ADJUST THE END SCREWS OR SLID THE ASSEMBLY TO GET THE BOTTOM LIGHT ON THE DASH TO ILLUMINTE.
- 4) MOVE THE DRIVE/TAB ALL THE WAY UP.
- 5) USING 1/16 ALLEN KEY, REMOVE THE BACK COVER.
- 6) USING A SMALL FLAT SCREWDRIVER, CAREFULLY TURN THE ADJUSTMENT ON THE BACK OFF THE LED PANEL ALL THE WAY COUNTER CLOCKWISE. SOME OF THE TOP LED'S SHOULD TURN OFF.
- 7) SLOWLY TURN THE ADJUSTING SCREW CLOCKWISE UNTIL THE THE TOP LED LIGHT BEGINS TO ILLUMINATE. PANEL IS NOW ADJUSTED FOR FULL RANGE. NOW ADJUST THE OTHER SIDE. CYCLE UP AND DOWN A FEW TIMES TO MAKE SURE LIGHTS ARE ADJUSTED PROPERLY.
- 8) REINSTALL REAR COVER.
- 9) 2 SLOT SHOWN. SAME INSTRUCTIONS FOR 4 AND 6 SLOT PANELS.



WARNING:
ATTACHING POWER TO ANY OTHER WIRE
THAN THE RED OR GREY WIRE WILL
PERMANENTLY DAMAGE THE SENDER AND
DASH PANEL.

THIS DRAWING IS CONFIDENTIAL AND IS SUPPLIED ON EXPRESS CONDITION THAT IT SHALL NOT BE LENT, COPIED OR DISCLOSED TO ANY OTHER PERSON OR USED FOR ANY OTHER PURPOSE WITHOUT WRITTEN CONSENT OF HARDIN MARINE INC.. BREACH OF THIS CONTRACT WILL HOLD AND IT'S PRINCIPALS LIABLE FOR LOSS AND DAMAGES.

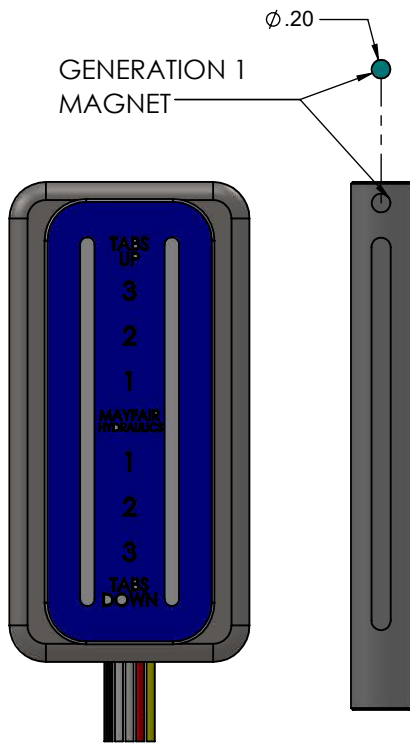
WARNING:
**ATTACHING POWER TO ANY OTHER WIRE THAN
THE RED OR GREY WIRE WILL PERMENANTLY
DAMAGE THE SENDER AND DASH PANEL.**

TITLE:

137-8414 GENERATION 1 VERSUS 2 COMPARISON

www.hardin-marine.com

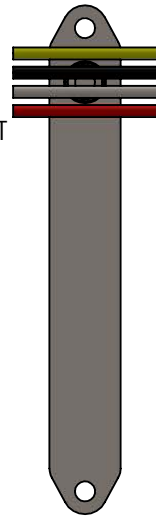
GENERATION 1 PANEL



GEN 1 PANEL WIRING:
BLACK: GROUND
RED: 12 V/ 5AMP FUSED POWER
WHITE: SENDER INPUT
YELLOW: DASH LIGHTS

GENERATION 2 SENDER

GEN 1 WIRING
YELLOW: DO NOT USE
BLACK: GROUND
WHITE: SENDER OUTPUT
RED: 5 TO 12 VOLTS

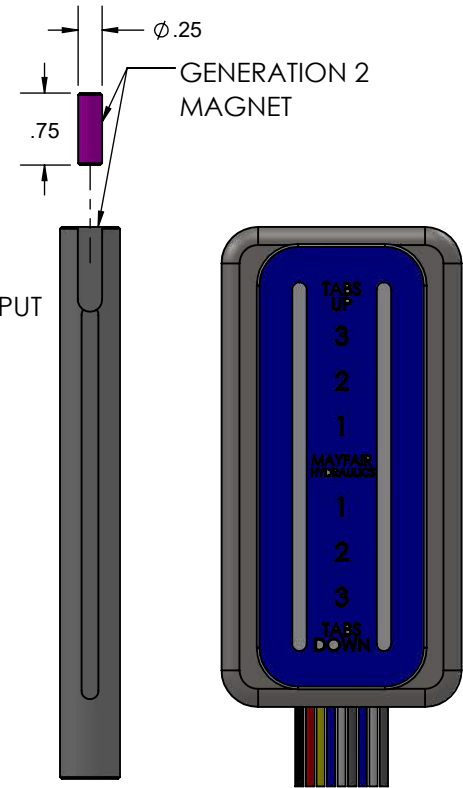


GEN 2 WIRING:
YELLOW: GROUND
BLACK: GROUND
WHITE: SENDER OUTPUT
RED: 5 TO 12 VOLTS

GEN 2 TRIM SENDER INSTRUCTIONS:

- 1) GEN 1 DASH PANEL ONLY HAD 5 WIRES.
- 2) GEN 1 MAGNET WAS ONLY ϕ .200x.200.
- 3) GEN 2 SENDERS AND PANELS STARTED 06/2022
- 4) GEN 2 DASH PANEL HAS 9 WIRES.
- 5) GEN 2 SENDER HAS 4 WIRES.
- 6) DO NOT USE YELLOW WITH GEN 1 PANEL AND MAGNET.
- 7) FOR GEN 2 PANEL AND MAGNET. COMBINE BOTH BLACK & YELLOW SENDER WIRES TO THE BLUE PANEL GROUND.

GENERATION 2 PANEL



GEN 2 PANEL WIRING:
BLACK: PANEL GROUND
RED: 12 V/ 5AMP FUSED POWER
YELLOW: DASH LIGHTS
BLUE: SENDER GROUND
WHITE: SENDER INPUT
GREY: 5 VOLT POWER
BLUE: SENDER GROUND
WHITE: SENDER INPUT
GREY: 5 VOLT POWER

HARDIN
MARINE

11 Industry Dr. Palm Coast, FL 32137
386-445-2500 / FAX 386-445-1122

PART NO.

137-8684

TITLE:

3 WIRE SENDER WIRING

www.hardin-marine.com

DASH PANEL TO 3 WIRE SENDER

WIRE COLOR CODE:

- 1) BLACK - GROUND
- 2) RED - 12V/ 5AMP FUSED KEYED POWER
- 3) YELLOW - DASH LIGHTS
- 4) BLUE - PORT SENDER BLUE WIRE
- 5) WHITE - PORT SENDER WHITE WIRE
- 6) GREY - PORT SENDER RED WIRE
- 7) BLUE - STBD SENDER BLUE WIRE
- 8) WHITE - STBD SENDER WHITE WIRE
- 9) GREY - STBD SENDER RED WIRE

137-8684 HARNESS KIT COMES WITH:

- (2) 30' SENDER HARNESS (GREY, BLUE AND WHITE)
- (1) 30' RED WIRE
- (1) 5AMP FUSE AND HOLDER
- (20) BUTT CONNECTORS

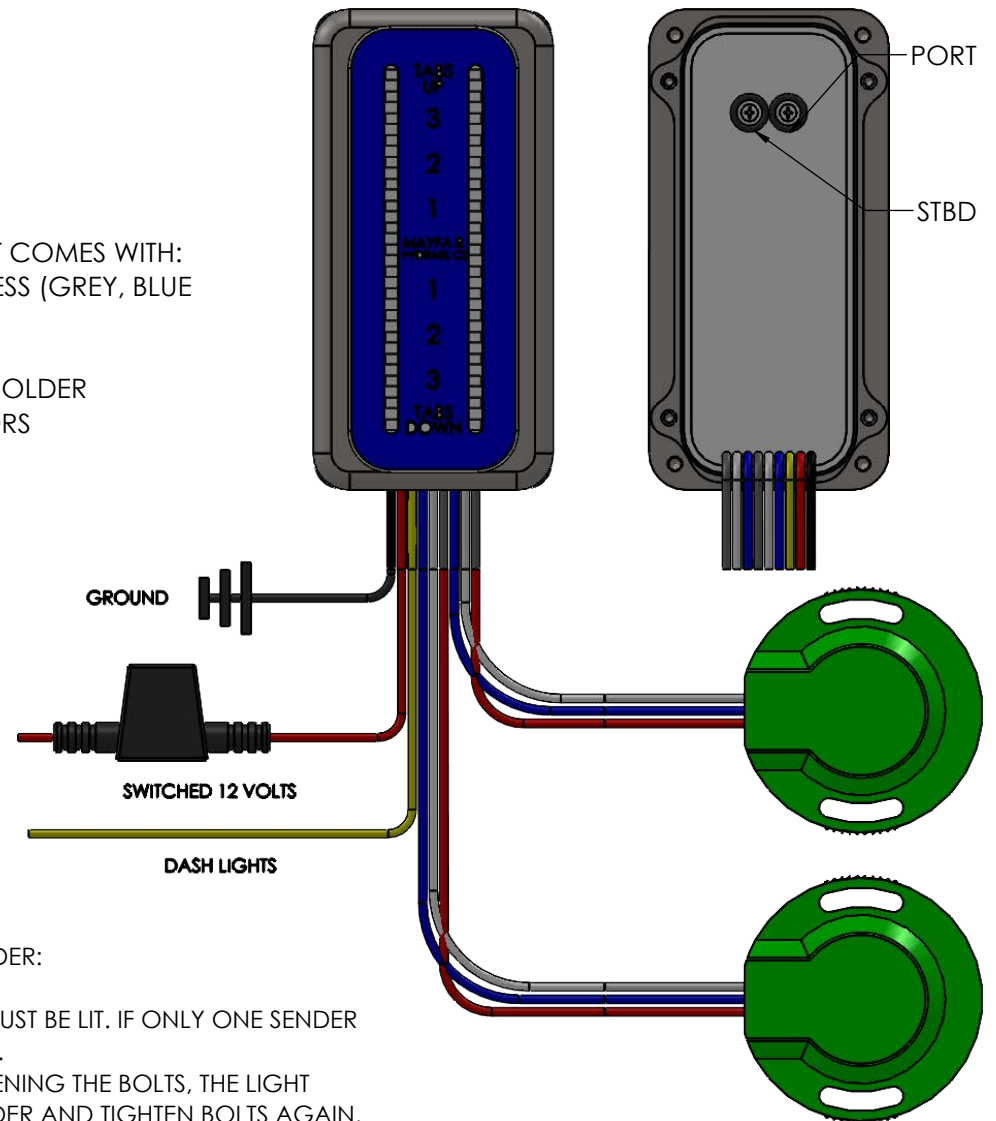
WARNING:

ATTACHING POWER TO ANY OTHER WIRE THAN THE RED OR GREY WIRE WILL PERMANENTLY DAMAGE THE SENDER AND DASH PANEL.

USED IN 137-8144, 137-8687, 137-8689, 137-8690 & 137-8729 ACTUATOR KITS

ADJUSTING THE LED LIGHT RANGE FOR MERCURY SMARTCRAFT/3 WIRE SENDER:

- 1) MOVE THE DRIVE/TAB ALL THE WAY DOWN.
- 2) BOTH SENDERS MUST BE WIRED AND THE BOTTOM LIGHT ON BOTH SIDES MUST BE LIT. IF ONLY ONE SENDER IS BEING USED, WIRE BOTH SIDES OF THE DASH PANEL TO THE SINGLE SENDER.
- 3) ADJUST THE MERCURY SENDER SO THE BOTTOM LIGHT IS ON. WHEN TIGHTENING THE BOLTS, THE LIGHT MIGHT TURN OFF OR SHOW TWO LIGHTS. IF SO, LOOSEN BOLTS, ADJUST SENDER AND TIGHTEN BOLTS AGAIN. SENDER IS VERY SENSITIVE TO MOVEMENT.
- 4) MOVE THE DRIVE/TAB ALL THE WAY UP.
- 5) USING 1/16 ALLEN KEY, REMOVE THE BACK COVER.
- 6) USING A SMALL FLAT SCREWDRIVER, CAREFULLY TURN THE ADJUSTMENT SCREW ON THE BACK OFF THE LED PANEL ALL THE WAY COUNTERCLOCKWISE. SOME OF THE TOP LED'S SHOULD TURN OFF.
- 7) SLOWLY TURN THE ADJUSTING SCREW CLOCKWISE UNTIL THE THE TOP LED LIGHT BEGINS TO ILLUMINATE. PANEL IS NOW ADJUSTED FOR FULL RANGE. NOW ADJUST THE OTHER SIDE. CYCLE UP AND DOWN A FEW TIMES TO MAKE SURE LIGHTS ARE ADJUSTED PROPERLY.
- 8) REINSTALL REAR COVER.
- 9) 2 SLOT SHOWN. SAME INSTRUCTIONS FOR 4 AND 6 SLOT PANELS.



THIS DRAWING IS CONFIDENTIAL AND IS SUPPLIED ON EXPRESS CONDITION THAT IT SHALL NOT BE LENT, COPIED OR DISCLOSED TO ANY OTHER PERSON OR USED FOR ANY OTHER PURPOSE WITHOUT WRITTEN CONSENT OF HARDIN MARINE INC.. BREACH OF THIS CONTRACT WILL HOLD AND IT'S PRINCIPALS LIABLE FOR LOSS AND DAMAGES.

HARDIN
MARINE

11 Industry Dr. Palm Coast, FL 32137
386-445-2500 / FAX 386-445-1122

PART NO.

137-8684

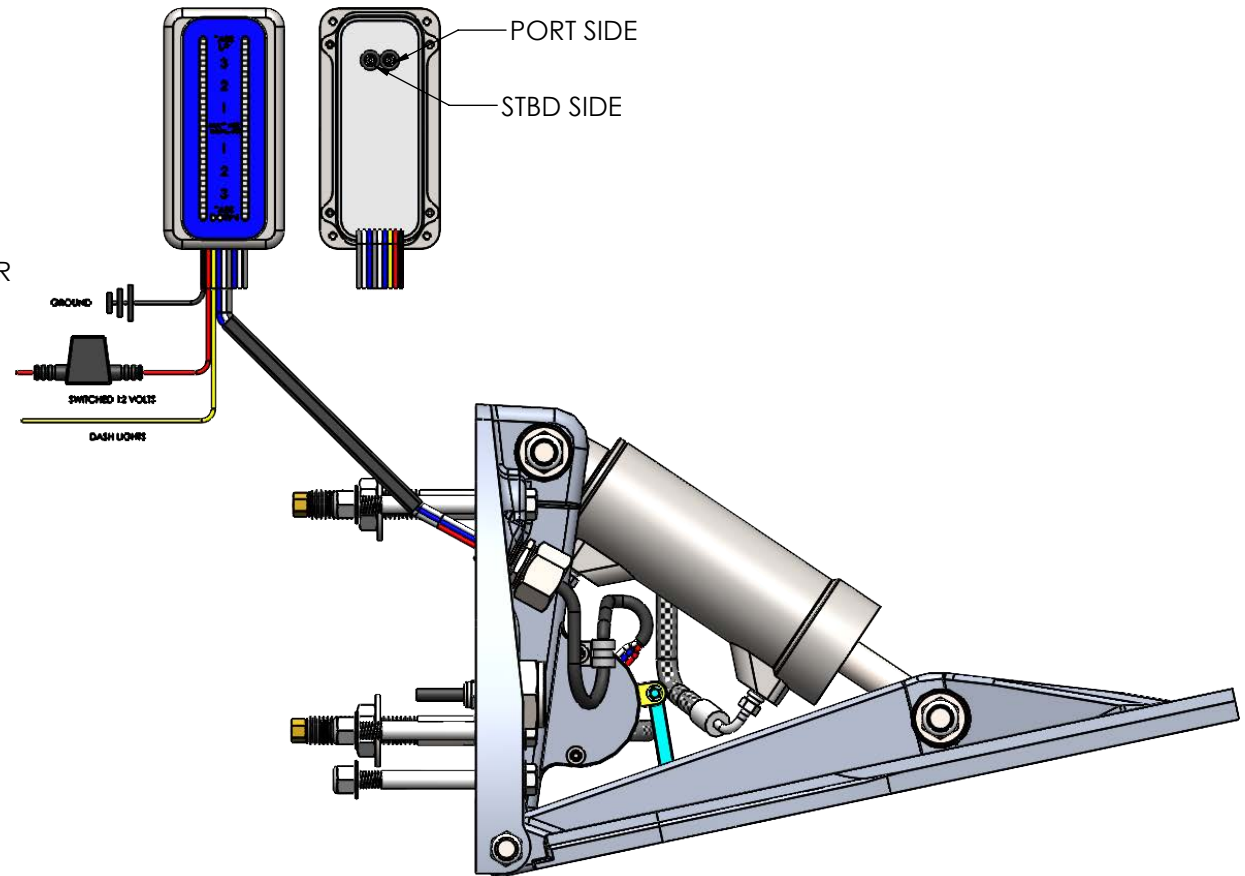
TITLE:

HARDIN/MERCURY TRIM TAB WIRING

www.hardin-marine.com

DASH PANEL TO 3 WIRE SENDER WIRE
COLOR CODE:

- 1) BLACK - GROUND
- 2) RED - 12V/ 5AMP FUSED KEYED POWER
- 3) YELLOW - DASH LIGHTS
- 4) BLUE - PORT SENDER BLUE WIRE
- 5) WHITE - PORT SENDER WHITE WIRE
- 6) GREY - PORT SENDER RED WIRE
- 7) BLUE - STBD SENDER BLUE WIRE
- 8) WHITE - STBD SENDER WHITE WIRE
- 9) GREY - STBD SENDER RED WIRE



ADJUSTING THE LED LIGHT RANGE:

- 1) TRIM TABS COME FROM FACTORY ADJUSTED SO THE BOTTOM OF THE SENDER SHOULD BE ON.
- 2) BOTH SENDERS MUST BE WIRED AND THE BOTTOM LIGHT ON BOTH SIDES MUST BE LIT.
- 3) MOVE THE DRIVE/TAB ALL THE WAY UP.
- 4) USING 1/16 ALLEN KEY, REMOVE THE BACK COVER ON THE DASH PANEL.
- 5) USING A SMALL FLAT BLADE SCREWDRIVER, **CAREFULLY** TURN THE ADJUSTMENT ON THE BACK OF THE LED PANEL ALL THE WAY COUNTERCLOCKWISE. SOME OF THE TOP LED'S SHOULD TURN OFF.
- 6) SLOWLY TURN THE ADJUSTING SCREW CLOCKWISE UNTIL THE THE TOP LED LIGHT BEGINS TO ILLUMINATE. PANEL IS ADJUSTED FOR FULL RANGE. NOW ADJUST THE OTHER SIDE. CYCLE UP AND DOWN A FEW TIMES TO MAKE SURE LIGHTS ARE ADJUSTED PROPERLY.
- 7) REINSTALL REAR COVER.
- 9) 2 SLOT SHOWN. SAME INSTRUCTIONS FOR 4 AND 6 SLOT PANELS.

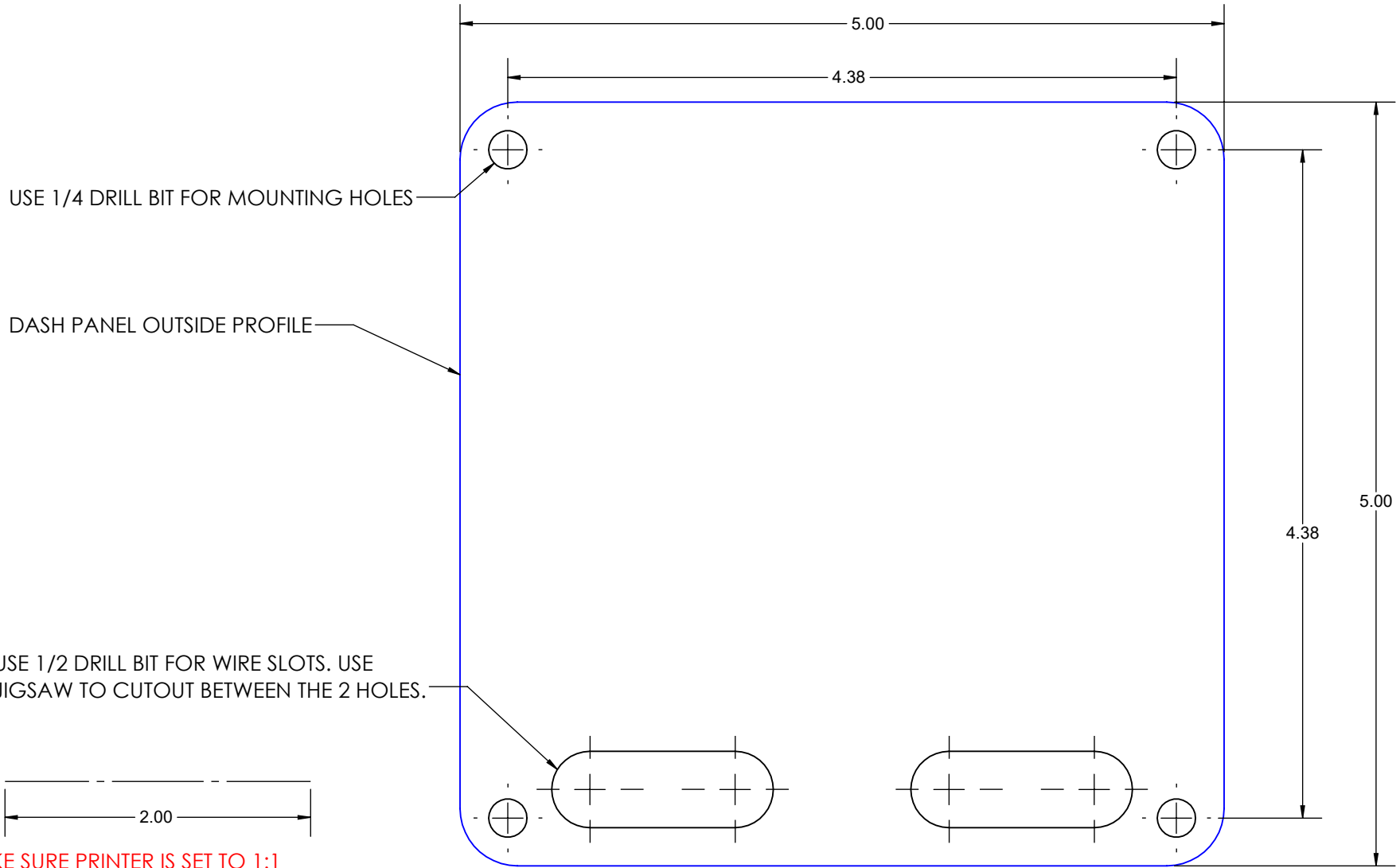
THIS DRAWING IS CONFIDENTIAL AND IS SUPPLIED ON EXPRESS CONDITION THAT IT SHALL NOT BE LENT, COPIED OR DISCLOSED TO ANY OTHER PERSON OR USED FOR ANY OTHER PURPOSE WITHOUT WRITTEN CONSENT OF HARDIN MARINE INC.. BREACH OF THIS CONTRACT WILL HOLD AND IT'S PRINCIPALS LIABLE FOR LOSS AND DAMAGES.

MAYFAIR PERFORMANCE

PART NO.

TITLE:
4 SLOT DASH PANEL CUTOUT

www.hardin-marine.com



MAKE SURE PRINTER IS SET TO 1:1
SCALE WHEN PRINTING. MEASURE THIS
LINE TO INSURE CORRECT SCALE.

THIS DRAWING IS CONFIDENTIAL AND IS SUPPLIED ON EXPRESS CONDITION THAT IT SHALL NOT BE LENT, COPIED OR DISCLOSED TO ANY OTHER PERSON OR USED FOR ANY OTHER PURPOSE WITHOUT WRITTEN CONSENT OF HARDIN MARINE INC.. BREACH OF THIS CONTRACT WILL HOLD AND IT'S PRINCIPALS LIABLE FOR LOSS AND DAMAGES.