

HARDIN 11 Industry Dr. Palm Coast, FL 32137
MARINE 386-445-2500 / FAX 386-445-1122

PART NO.

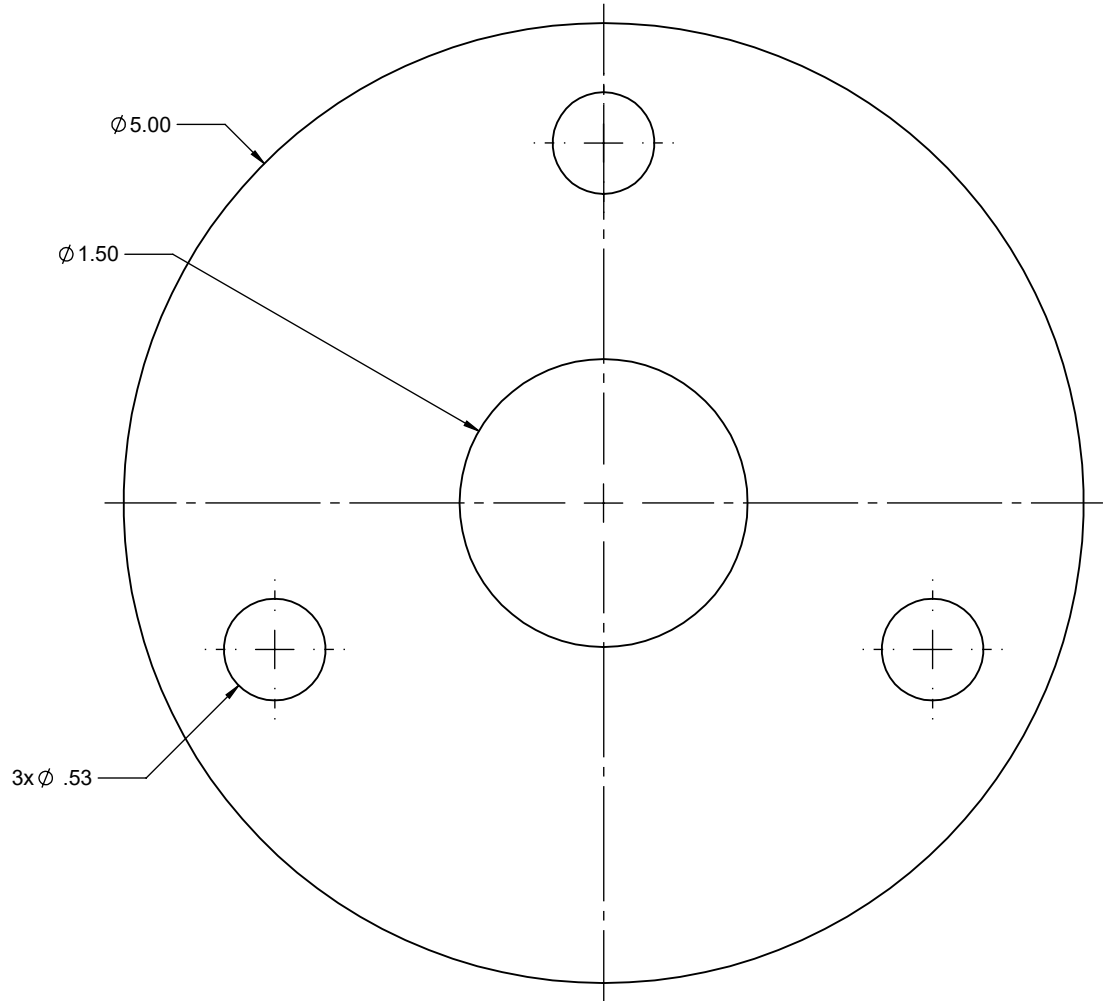
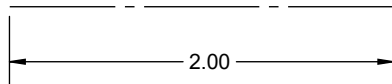
TITLE: MAYFAIR TILT STEERING COLUMN
DRILL TEMPLATE

www.hardin-marine.com

DRILL TEMPLATE USAGE:

- 1) MAKE SURE SCALE SIZE IS CORRECT.
- 2) 5" IS THE TILT HELM O.D..
- 3) TAPE TEMPLATE ON THE DASH.
- 4) USE A CENTER MARK TO MARK THE 4 HOLE LOCATION.
- 5) USE A 17/32 FOR THE 3 MOUNTING STUDS,
- 6) USE 1-1/2 HOLE SAW FOR CENTER,

THIS MUST BE PRINTED ON
FULL SCALE 1:1. MEASURE
THE BELOW LINE TO MAKE
SURE OF TEMPLATE SIZE.



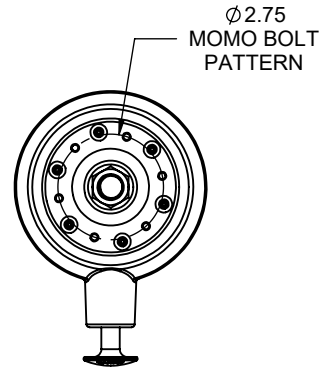
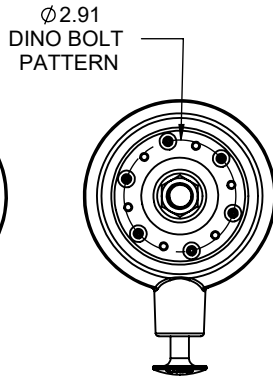
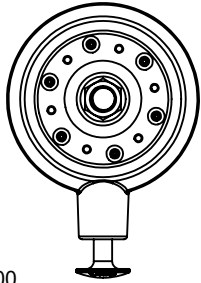
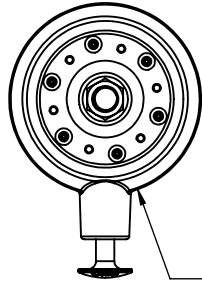
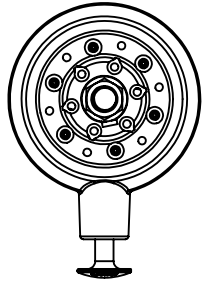
BOTTOM

HARDIN 11 Industry Dr. Palm Coast, FL 32137
MARINE 386-445-2500 / FAX 386-445-1122

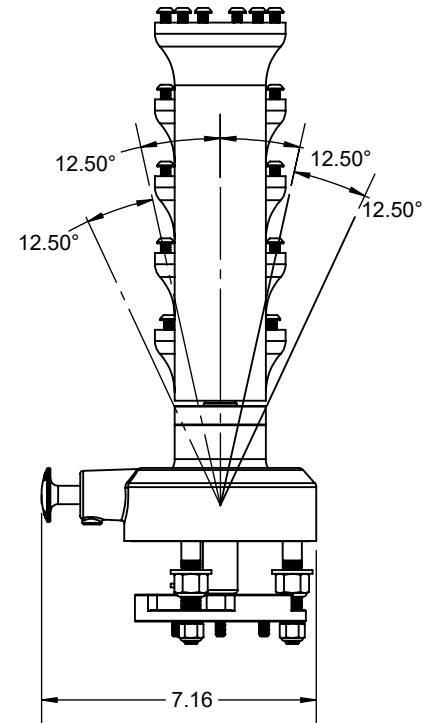
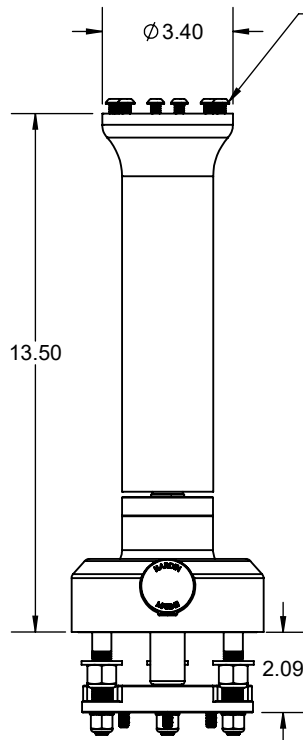
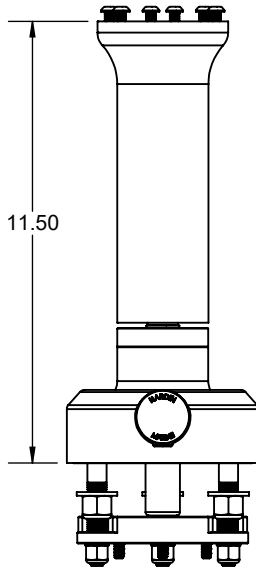
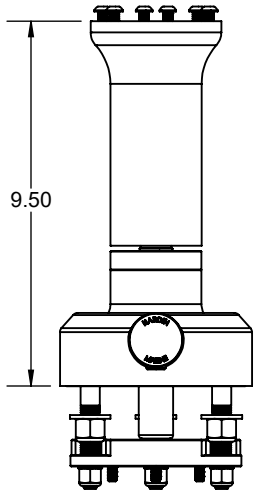
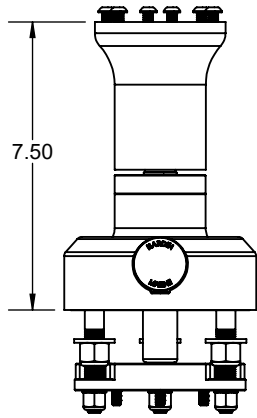
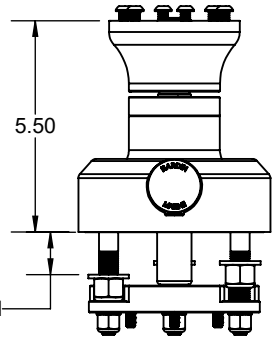
PART NO.

TITLE: DAN FOSS TILT STEERING COLUMN SIZES

www.hardin-marine.com



Ø5.00



137-9700

137-9701

137-9702

137-9703

137-9704

THIS DRAWING IS CONFIDENTIAL AND IS SUPPLIED ON EXPRESS CONDITION THAT IT SHALL NOT BE LENT, COPIED OR DISCLOSED TO ANY OTHER PERSON OR USED FOR ANY OTHER PURPOSE WITHOUT WRITTEN CONSENT OF HARDIN MARINE INC.. BREACH OF THIS CONTRACT WILL HOLD AND IT'S PRINCIPALS LIABLE FOR LOSS AND DAMAGES.

HARDIN 11 Industry Dr. Palm Coast, FL 32137
MARINE 386-445-2500 / FAX 386-445-1122

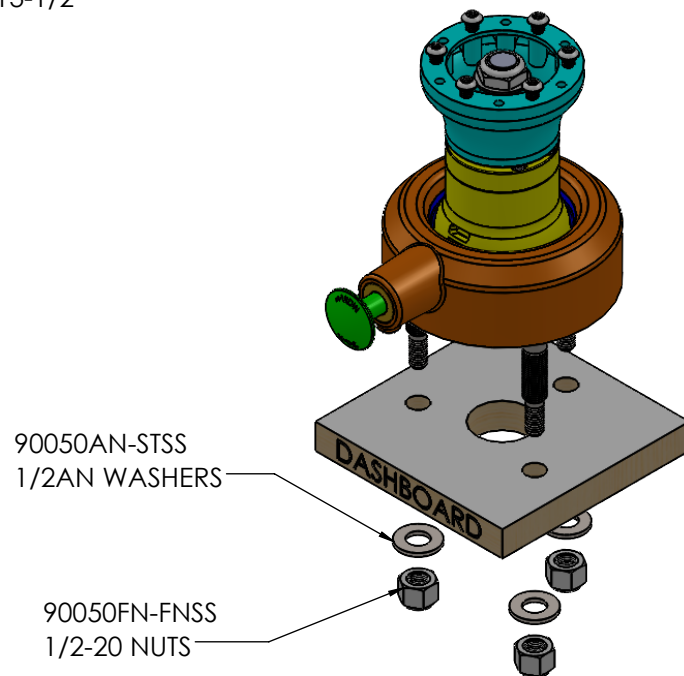
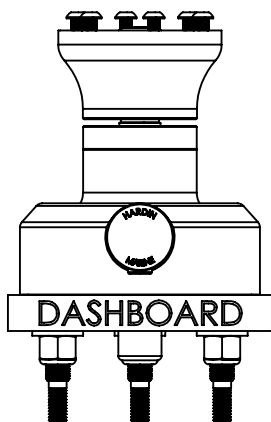
PART NO.
137-977_

TITLE: MAYFAIR TILT STEERING COLUMN
INSTALLATION FOR DAN FOSS HELM- STEP 1

www.hardin-marine.com

WHEEL ADAPTER LENGTHS:

137-9770: 5-1/2
137-9771: 7-1/2
137-9772: 9-1/2
137-9773: 11-1/2
137-9774: 13-1/2



INSTALLATION INSTRUCTIONS:

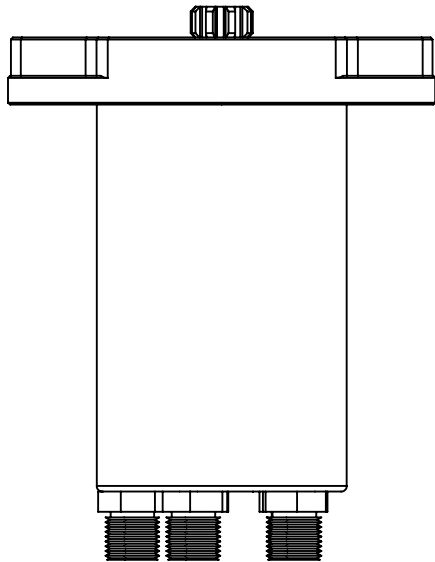
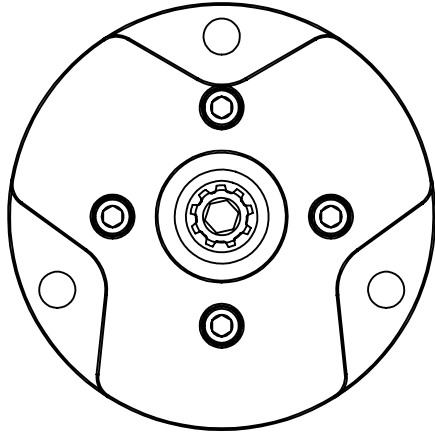
- 1) USE THE SUPPLIED TEMPLATE TO DRILL HOLES IN THE DASHBOARD.
- 2) APPLY ANTI-SIEZE TO BOTH THE 1/2 AND 3/8 THREADS ON THE 3 STUDS
- 3) INSTALL HELM THROUGH THE DASH.
- 4) USING 5/8 WRENCH, INSTALL COLUMN TO THE DASH WITH THE 1/2 NUTS AND WASHERS.

HARDIN 11 Industry Dr. Palm Coast, FL 32137
MARINE 386-445-2500 / FAX 386-445-1122

PART NO.
137-977_

TITLE: MAYFAIR TILT STEERING COLUMN
INSTALLATION FOR DAN FOSS HELM- STEP 2

www.hardin-marine.com



WHEEL ADAPTER LENGTHS:

137-9770: 5-1/2

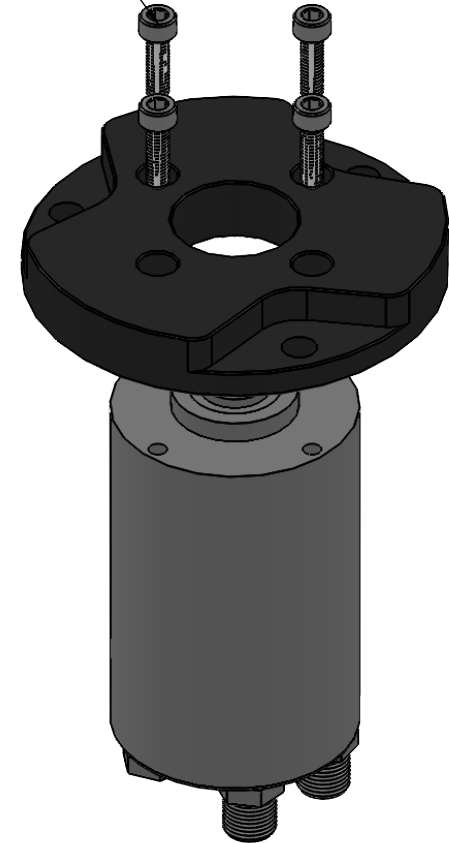
137-9771: 7-1/2

137-9772: 9-1/2

137-9773: 11-1/2

137-9774: 13-1/2

900M06C020SHS
6MM x 1.00 x 20MM



INSTALLATION INSTRUCTIONS:

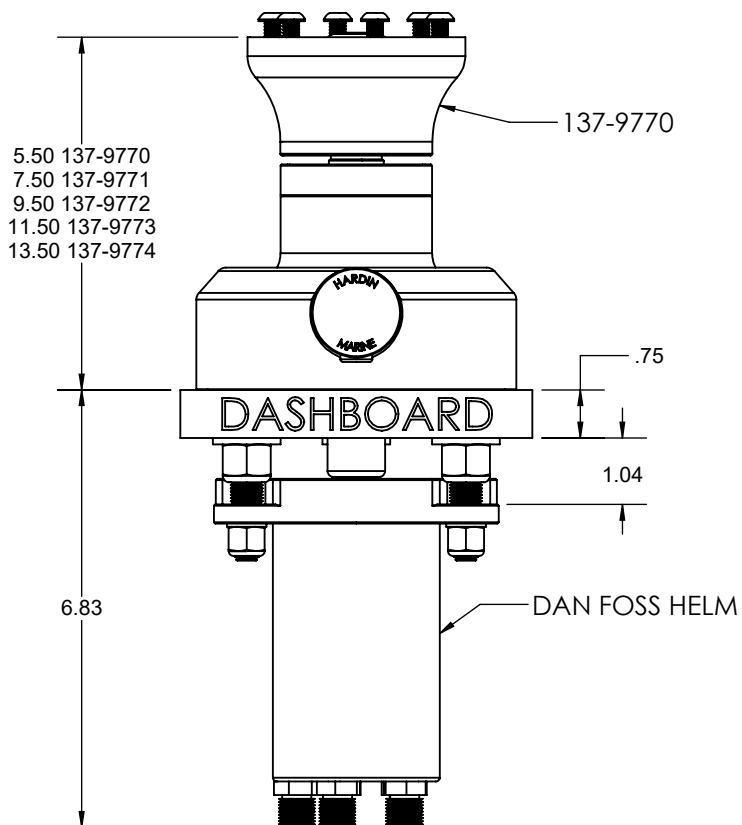
- 1) APPLY RED LOCTITE TO THE BOLTS.
- 2) USING 5MM HEX SOCKET TORQUE TO 120 IN. LBS..

HARDIN 11 Industry Dr. Palm Coast, FL 32137
MARINE 386-445-2500 / FAX 386-445-1122

PART NO.
137-977_

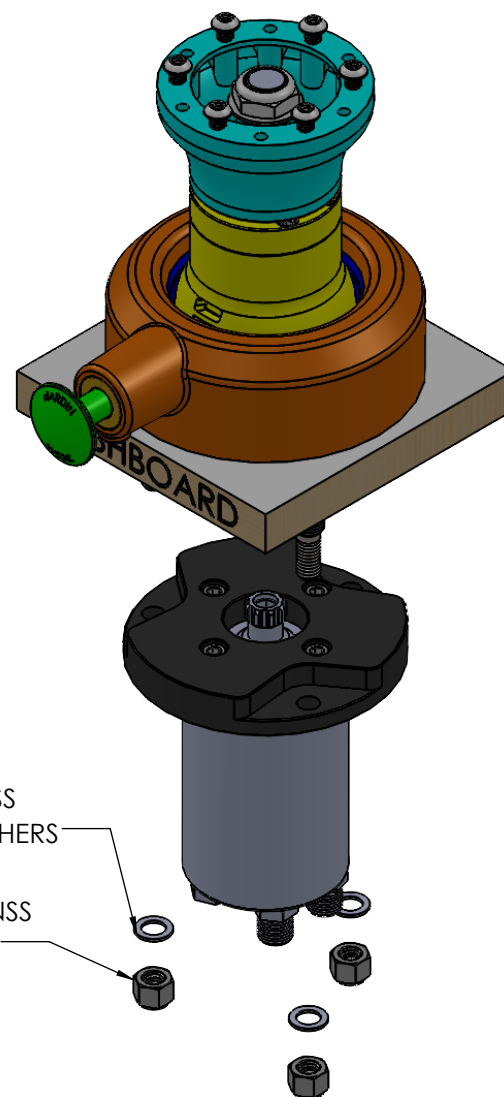
TITLE: MAYFAIR TILT STEERING COLUMN
INSTALLATION FOR DAN FOSS HELM- STEP 3

www.hardin-marine.com



NOTES:

- 1) WHEEL ADAPTERS ARE THREAD 1/4-20 IN BOTH DINO ϕ 2.91 & MOMO ϕ 2.750 BOLT PATTERNS.
- 2) SUPPLIED WITH (6) 1/4-20x5/8 BOLTS.
- 3) TILT MOVES 12.5° AND 25° IN BOTH DIRECTIONS.



INSTALLATION INSTRUCTIONS:

- 1) APPLY ANTI-SIEZE TO THE 3/8 THREADS ON THE 3 STUDS
- 2) SLIDE ADAPTER RING OVER THE 3 STUDS,
- 3) USING 9/16 SOCKET TO INSTALL 3/8 NUTS AND WASHERS. TORQUE TO 30 FT. LBS..

THIS DRAWING IS CONFIDENTIAL AND IS SUPPLIED ON EXPRESS CONDITION THAT IT SHALL NOT BE LENT, COPIED OR DISCLOSED TO ANY OTHER PERSON OR USED FOR ANY OTHER PURPOSE WITHOUT WRITTEN CONSENT OF HARDIN MARINE INC.. BREACH OF THIS CONTRACT WILL HOLD AND IT'S PRINCIPALS LIABLE FOR LOSS AND DAMAGES.