

LIGHTED SWITCH, FULL LED

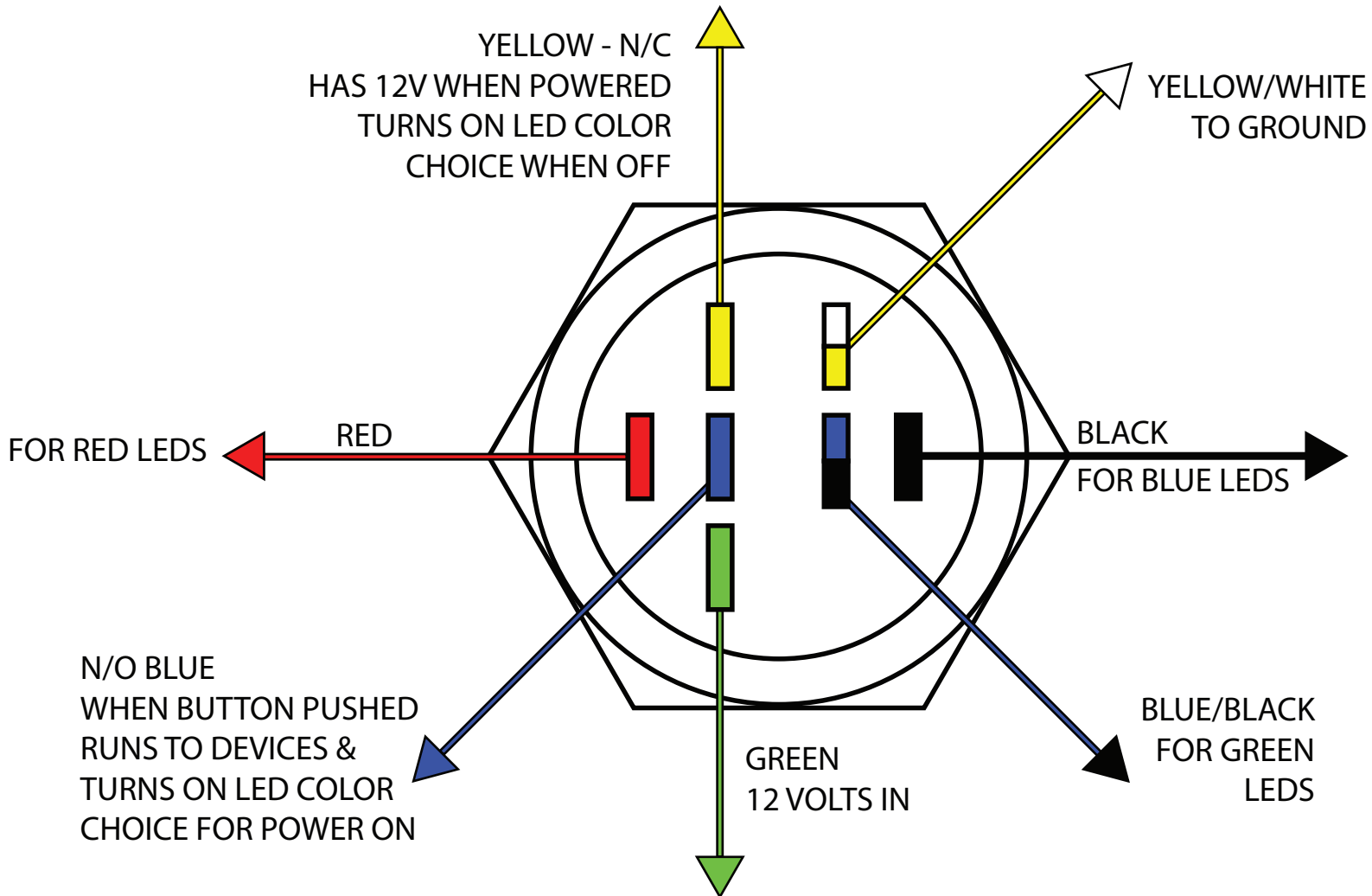
BLUE LED OFF RED LED ON

Instruction Sheet 516-12

19 MM SWITCH, 10 AMP

516-9150-1003

516-9150-2003



SWITCH LIGHT OPTIONS

YELLOW TO BLACK

YELLOW TO RED

YELLOW TO BLUE/BLACK

BLUE TO BLACK

BLUE TO RED

BLUE TO BLUE/BLACK

BLUE LIGHT WHEN OFF

RED LIGHT WHEN OFF

GREEN LIGHT WHEN OFF

BLUE LIGHT WHEN ON

RED LIGHT WHEN ON

GREEN LIGHT WHEN ON

WIRE COLOR CODES

GREEN

CONNECTS TO 12 VOLTS INPUT

RED

RED LED 12 VOLT INPUT

BLUE/BLACK

GREEN LED 12 VOLT INPUT

BLUE

N/O 12 VOLT OUTPUT TO DEVICE

BLACK

BLUE LED 12 VOLT INPUT

YELLOW

N/C 12 VOLT WHEN IGNITION ON

YELLOW/WHITE

CONNECT TO GROUND

LED 19mm & 22mm Switch
Noise suppression
Diode installation

Some marine electric components send unwanted noise down the power wire into the switch which can cause a LED light failure. The included diode should be installed at or near the component to handle this noise issue. These components include bilge pumps, bilge blowers, wipers, horns, etc. If the switch is turning on a light or controlling a relay this noise issue will not be a problem and the diode will not be needed.

Installation:

The diode will connect between the 12 volt input wire (normally red) and the ground wire (normally black) on the component. The band on the diode when installed will be towards the 12 volt input wire as shown in the diagram.

Do not install the diode in an area that will have a possibility of being exposed to submerged in water. Use heat shrink to cover any bare or exposed wires.

