

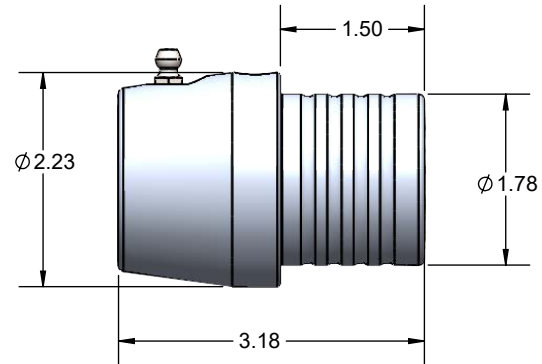
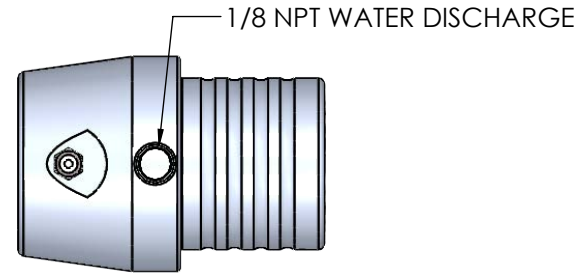
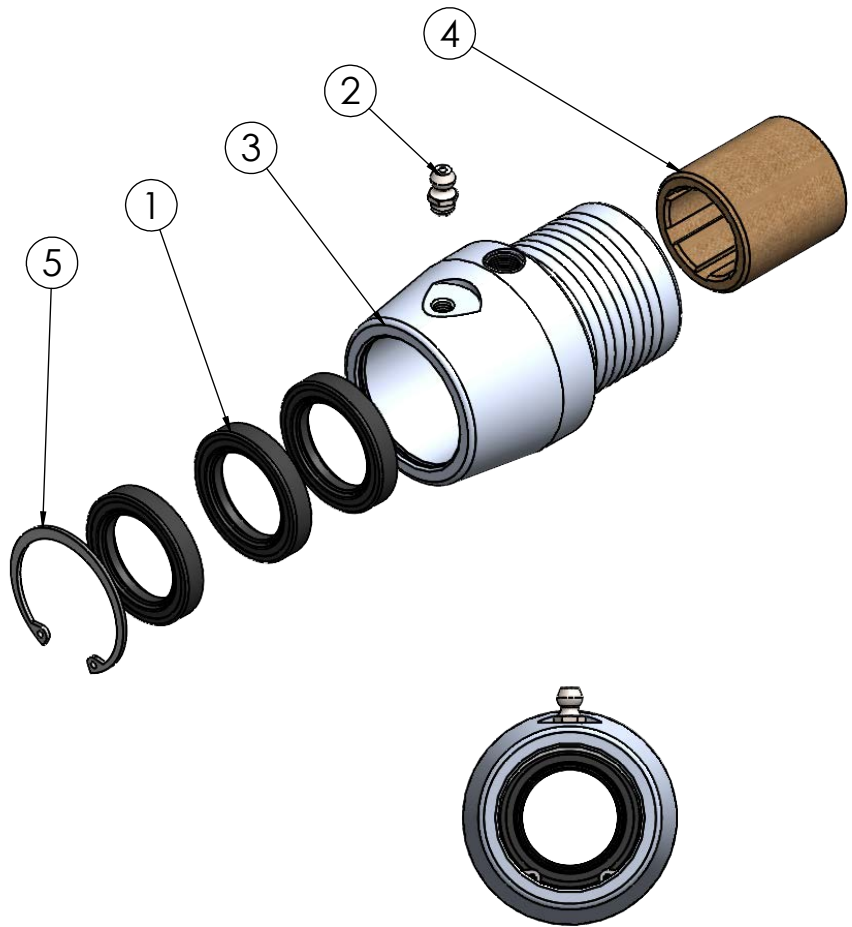
HARDIN 11 Industry Dr. Palm Coast, FL 32137  
MARINE 386-445-2500 / FAX 386-445-1122

PART NO.  
620-506

TITLE:  
1" BILLET STUFFER BOX

www.hardin-marine.com

ITEM NO.	PART NUMBER	DESCRIPTION	QTY.
1	620-502	SEAL, 1" PROP SHAFT	3
2	620-504	FITTING, GREASE	1
3	620-505	BOX, STUFFING 1" SHAFT	1
4	620-507	BUSHING, 1.00 PROP SHAFT	1
5	625-7765	SNAP RING	1



THIS DRAWING IS CONFIDENTIAL AND IS SUPPLIED ON EXPRESS CONDITION THAT IT SHALL NOT BE LENT, COPIED OR DISCLOSED TO ANY OTHER PERSON OR USED FOR ANY OTHER PURPOSE WITHOUT WRITTEN CONSENT OF HARDIN MARINE INC.. BREACH OF THIS CONTRACT WILL HOLD ..... AND IT'S PRINCIPALS LIABLE FOR LOSS AND DAMAGES.

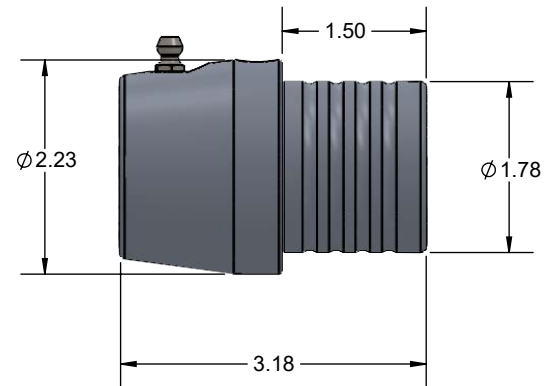
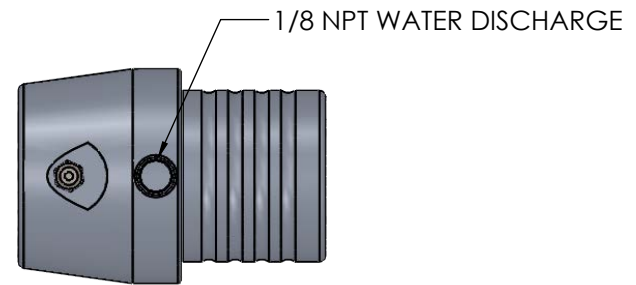
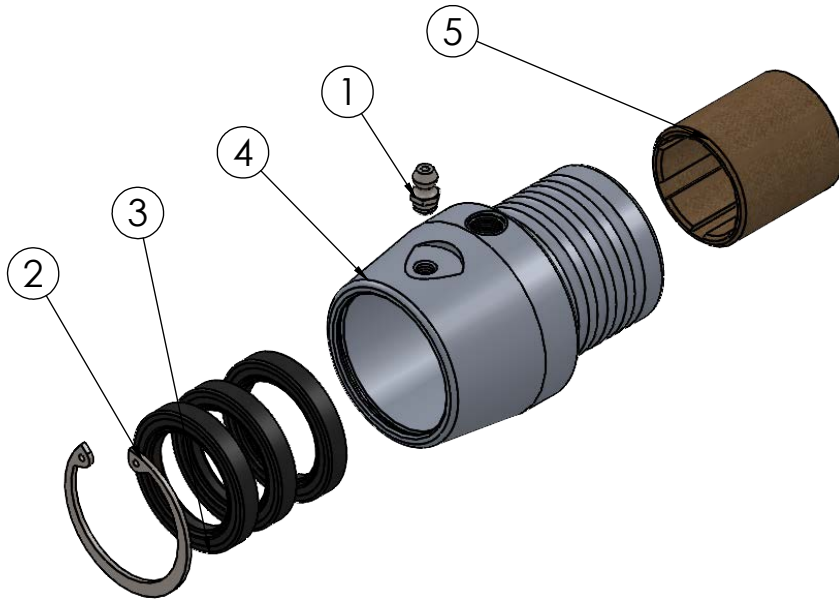
HARDIN 11 Industry Dr. Palm Coast, FL 32137  
MARINE 386-445-2500 / FAX 386-445-1122

PART NO.  
620-516

TITLE:  
1-1/8 STUFFING BOX

www.hardin-marine.com

ITEM NO.	PART NUMBER	DESCRIPTION	QTY.
1	620-504	FITTING, GREASE	1
2	620-511	SNAP RING	1
3	620-512	SEAL, 1-1/8 PROP SHAFT	3
4	620-515	BOX, STUFFING 1-1/8 SHAFT	1
5	620-517	BUSHING. 1.125 PROP SHAFT	1



THIS DRAWING IS CONFIDENTIAL AND IS SUPPLIED ON EXPRESS CONDITION THAT IT SHALL NOT BE LENT, COPIED OR DISCLOSED TO ANY OTHER PERSON OR USED FOR ANY OTHER PURPOSE WITHOUT WRITTEN CONSENT OF HARDIN MARINE INC.. BREACH OF THIS CONTRACT WILL HOLD ..... AND IT'S PRINCIPALS LIABLE FOR LOSS AND DAMAGES.