

HARDIN  
MARINE

11 Industry Dr. Palm Coast, FL 32137  
386-445-2500 / FAX 386-445-1122

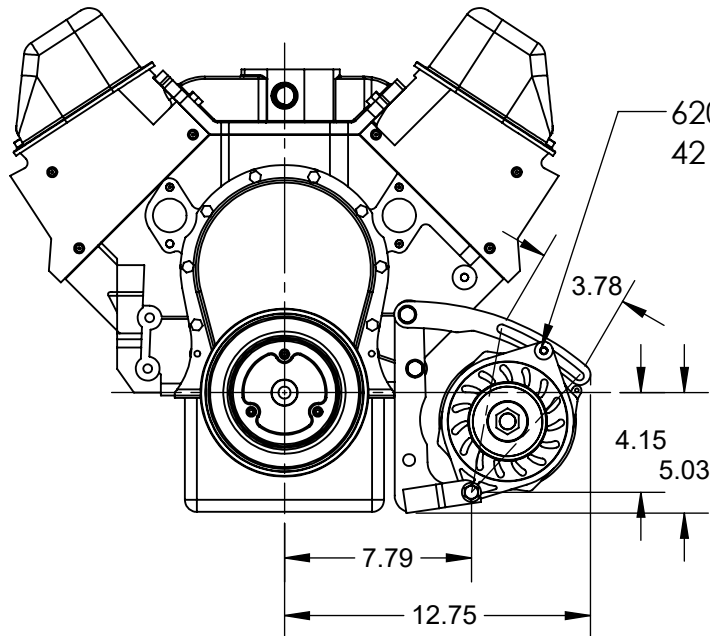
PART NO.  
620-910030

TITLE:  
**BBC LOW MOUNT PORT  
ALTERNATOR BRACKET**

www.hardin-marine.com

**INSTALLATION INSTRUCTIONS:**

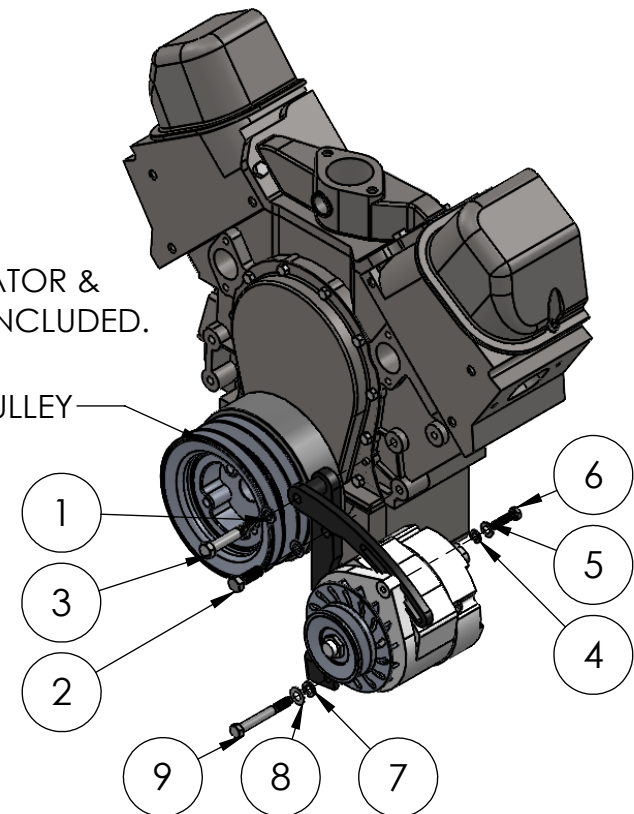
- 1) MOUNT MAIN BRACKET, FIG. A, TO THE BLOCK USING #2 BOLT & #1 WASHER IN LOWER BOLT HOLE. DO NOT TORQUE.
- 2) INSTALL ALTERNATOR SWING ARM, FIG. B, INTO THE UPPER BOLT HOLE USING #3 BOLT & #1 WASHER. DO NOT TORQUE.
- 3) INSTALL THE 2" WIDE ALTERNATOR BOSS INTO THE LOWER PART OF THE MAIN BRACKET USING #9 BOLT, #7 & 8 WASHER. DO NOT TORQUE.
- 4) USING #6 BOLT, #4 & 5 WASHER, ATTACH ALTERNATOR TO THE SWING ARM.
- 5) INSTALL 33-1/2 LONG BELT, NOT SHOWN.
- 6) USING 5/8 SOCKET TORQUE 7/16 BOLTS TO 45 FT. LBS..
- 7) USING 9/16 SOCKET TORQUE 3/8 BOLT TO 35 FT. LBS..
- 8) USING 1/2 SOCKET TORQUE 5/16 BOLT TO 25 FT. LBS..



620-3147M-NC ALTERNATOR &  
421-216 PULLEY IS NOT INCLUDED.

421-215 CRANK PULLEY

ITEM NO.	PART NUMBER	DESCRIPTION	QTY.
1	90043AN-STSS	WASHER, 7/16AN	2
2	90043C125HHS	BOLT, 7/16-14 x 1.25	1
3	90043C275HHS	BOLT, 7/16-14x2.75	1
4	90031SL-STSS	WASHER, 5/16 LOCK	1
5	90031SA-STSS	WASHER, 5/16 SAE	1
6	90031C125HHS	BOLT, 5/16-18x1.25	1
7	90037SL-STSS	WASHER, LOCKING - 3/8	1
8	90037SA-STSS	WASHER, 3/8 SAE	1
9	90037C300HHS	BOLT, HHCS, 3/8-16x3.00	1



THIS DRAWING IS CONFIDENTIAL AND IS SUPPLIED ON EXPRESS CONDITION THAT IT SHALL NOT BE LENT, COPIED OR DISCLOSED TO ANY OTHER PERSON OR USED FOR ANY OTHER PURPOSE WITHOUT WRITTEN CONSENT OF HARDIN MARINE INC.. BREACH OF THIS CONTRACT WILL HOLD ..... AND IT'S PRINCIPALS LIABLE FOR LOSS AND DAMAGES.