

HARDIN  
MARINE

11 Industry Dr. Palm Coast, FL 32137  
386-445-2500 / FAX 386-445-1122

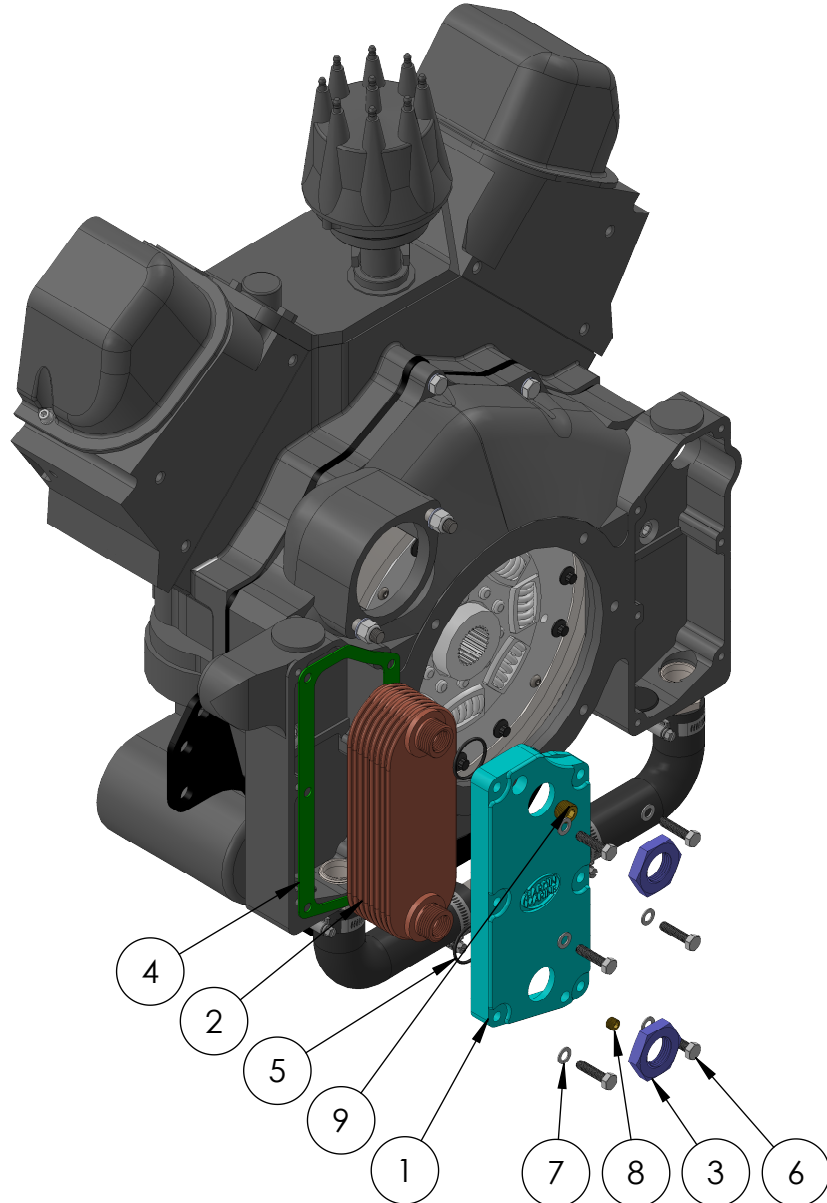
PART NO.

755-8028

TITLE:

## 8 PLATE PORT OIL COOLER KIT

www.hardin-marine.com



ITEM NO.	PART NUMBER	DESCRIPTION	QTY.
1	755-8037	COVER, 8 PLATE OIL COOLER - PORT	1
2	625-8011	COOLER, 8 PLATE	1
3	625-8073	NUT, JAM-OIL COOLER	2
4	625-8017	GASKET, PORT	1
5	625-1124	O-RING	2
6	90031C125HHS	BOLT, 5/16-18x1.25	6
7	90031AN-STSS	WASHER, 5/16 AN	6
8	625-2021	PIPE PLUG, 1/8 NPT	1
9	625-2023	PIPE PLUG, 3/8 NPT	1

### INSTALLATION INSTRUCTIONS:

- 1) APPLY WHITE LITHIUM GREASE TO #5 625-1124 ORINGS. INSTALL INTO THE GROOVES ON THE INSIDE OF #1 755-8037 COOLER COVER.
- 2) INSTALL COVER OVER #2 625-8011 OIL COOLER.
- 3) APPLY ANTI-SIEZE TO THE OIL COOLER THREAD. INSTALL #3 625-8073 JAM NUTS. JUST SNUG TIGHT.
- 4) APPLY PERMATEX #3 TO BOTH SIDES OF #4 625-8017 GASKET.
- 5) INSTALL OIL COOLER ASSEMBLY INTO THE BELLHOUSING.
- 6) APPLY ANTI-SIEZE TO #6 90031C125HHS BOLTS. INSTALL #7 90031AN-STSS WASHERS. USING 1/2 SOCKET TO TORQUE BOLTS TO 20 FT. LBS..
- 7) USING 1-3/4 SOCKET, TORQUE OIL COOLER JAM NUTS TO 40 FT. LBS..
- 8) APPLY LIQUID TEFLON SEALANT TO BOTH #8 625-2021 & #9 625-2023 PIPE PLUGS.
- 9) USING 3/16 ALLEN KEY TO INSTALL 625-2021 PIPE PLUG.
- 10) USING 5/16 ALLEN KEY TO INSTALL 625-2023 PIPE PLUG.

THIS DRAWING IS CONFIDENTIAL AND IS SUPPLIED ON EXPRESS CONDITION THAT IT SHALL NOT BE LENT, COPIED OR DISCLOSED TO ANY OTHER PERSON OR USED FOR ANY OTHER PURPOSE WITHOUT WRITTEN CONSENT OF HARDIN MARINE INC.. BREACH OF THIS CONTRACT WILL HOLD ..... AND IT'S PRINCIPALS LIABLE FOR LOSS AND DAMAGES.